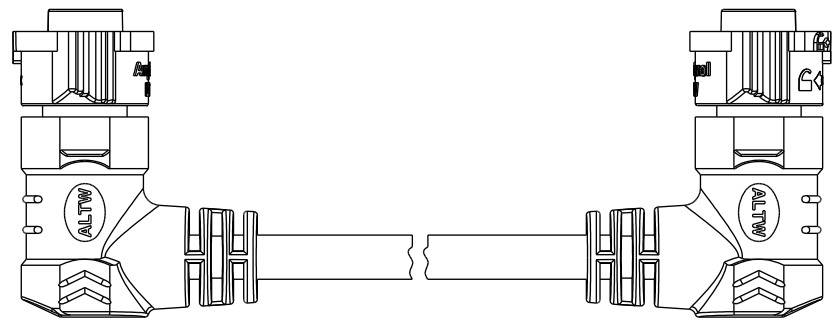
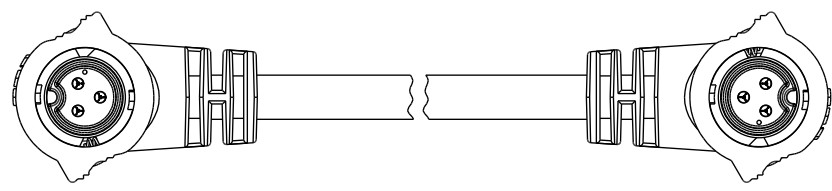
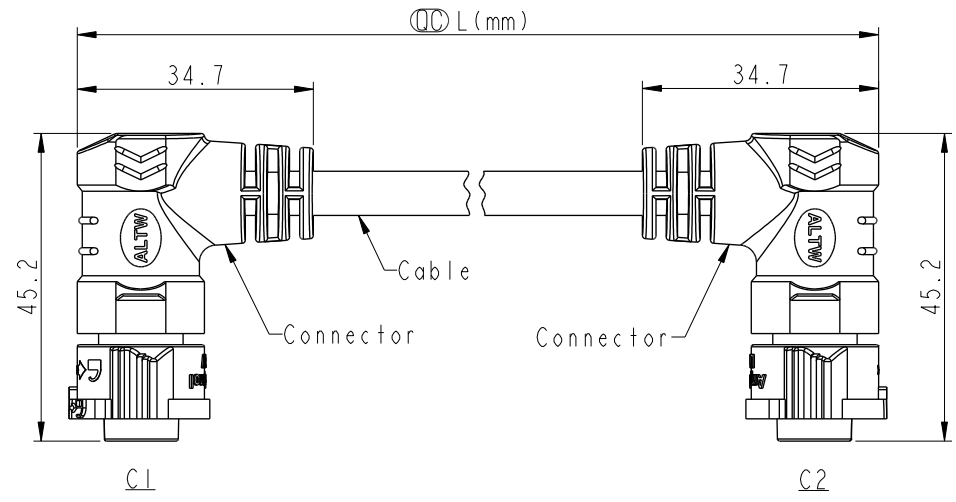


THIS DOCUMENT IS SUBJECT TO CHANGE WITHOUT NOTICE. IT IS CONFIDENTIAL AND A PROPERTY OF AMPHENOL LTW. DISCLOSURE TO THIRD PARTY HAS TO BE AUTHORIZED BY AMPHENOL LTW.

| REV. | ECN NO. | DATE | SIGN | DESCRIPTION |
|------|---------|------------|-------|------------------|
| A | | 2020/01/20 | Vicky | Initial Released |
| B | C220467 | 2022/03/29 | Vicky | $\triangle B$ X2 |



- $\triangle B$ Note:
- * RoHS Compliant
 - * \varnothing Important dimension
 - * Waterproof rate: IPX8, mated 1m/24h
 - * Connector
 - Housing: Thermoplastic, Black
 - Pin: Copper alloy, Gold plated
 - O-Ring: Rubber, Dark gray
 - Nut: Thermoplastic, Black
 - Outer Mold: Thermoplastic, Black
 - * Cable: UL21388, PVC Jacket, Black
 - * Cable length tolerance:

| | |
|---------------|------------|
| 0.5M < L ≤ 1M | +60/-0 mm |
| 1M < L ≤ 3M | +120/-0 mm |
| 3M < L ≤ 5M | +160/-0 mm |
| 5M < L ≤ 10M | ±100 mm |
| 10M < L ≤ 20M | ±200 mm |
| 20M < L ≤ 30M | ±300 mm |
| 30M < L ≤ 99M | ±500 mm |

| | | |
|-----------|--------------------|----------------------------------|
| UNIT: mm | | TITLE |
| TOLERANCE | $\pm 0.5\text{mm}$ | ACC, XLOK, B-10A, DB-ENDED FF |
| SCALE | 1:2 | SIZE A4 |
| REV. | B | SHEET 1 OF 2 |
| WC-REV. | A.5 | \varnothing : Inspection item |

Amphenol LTW
安費諾亮泰企業股份有限公司

| | | |
|----------------------|-------------|------------|
| ITEM NO. | DRAWN BY | DATE |
| | Vicky | 2020-01-20 |
| DWG NO. | CHECKED BY | DATE |
| AB-BBXXBR-BBBR-QDXXX | Rita | 2020-01-20 |
| CUSTOMER | APPROVED BY | DATE |
| ALTW | Max | 2020-01-20 |

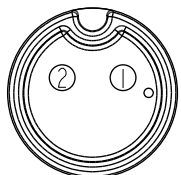
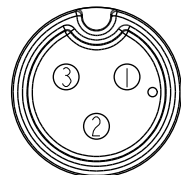
THIS DOCUMENT IS SUBJECT TO CHANGE WITHOUT NOTICE. IT IS CONFIDENTIAL AND A PROPERTY OF Amphenol LTW. DISCLOSURE TO THIRD PARTY HAS TO BE AUTHORIZED BY Amphenol LTW.

| | | | | |
|----------|--------------|----------|-----|----------------------|
| 3P | PVC | 6.5 | 16 | AB-BB03BR-BBBR-QDXXX |
| 2P | | 6.0 | | AB-BB02BR-BBBR-QDXXX |
| Contacts | Cable Jacket | Cable OD | AWG | Item No. |


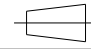
AB-BB XX BR-BBBR-QD XXX

△ B XX: No. Of Pin

XXX: 0.5~99Meters
 A05: 0.5 Meter
 001: 01 Meter
 002: 02 Meters
 :
 099: 99 Meters

| | | | | |
|---------|---|--------|---|-------------|
| Pin Out | 2 Red 1 Black | 紅 黑 | 3 Red 2 Brown 1 Black | 紅 棕 黑 |
| | Pin # | Wire | Pin # | Wire |
| C1 & C2 |  | |  | |
| | 2P | | 3P | |

Pin Assignments Front View

| | | | |
|-----------|---|---|----------------------------------|
| UNIT:mm |  |  | TITLE |
| TOLERANCE | ±0.5mm | | ACC, XLOK, B-10A, DB-ENDED FF |
| SCALE | 1:2 | SIZE | A4 |
| REV. | B | SHEET | 2 OF 2 |
| | WC-REV. | A.5 | QC: Inspection item |

Amphenol LTW
 安費諾亮泰企業股份有限公司

| | | |
|----------|----------------------|--|
| ITEM NO | DRAWN BY | DATE |
| DWG NO | CHECKED BY | DATE |
| CUSTOMER | APPROVED BY | DATE |
| ALTW | Vicky Rita Max | 2020-01-20 2020-01-20 2020-01-20 |