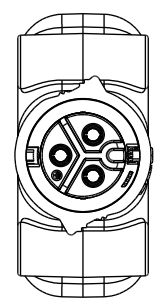
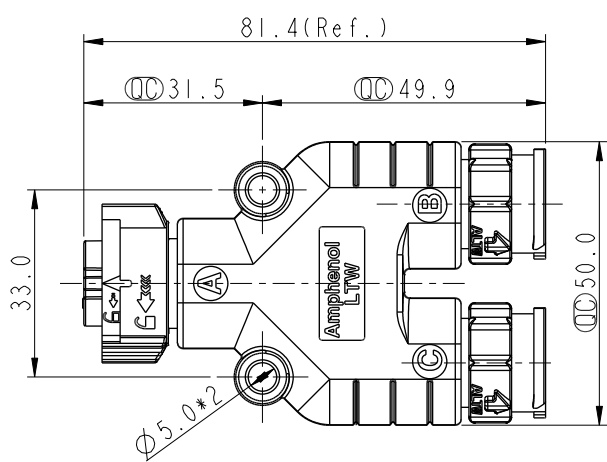


THIS DOCUMENT IS SUBJECT TO CHANGE WITHOUT NOTICE. IT IS CONFIDENTIAL AND A PROPERTY OF Amphenol LTW. DISCLOSURE TO THIRD PARTY HAS TO BE AUTHORIZED BY Amphenol LTW.

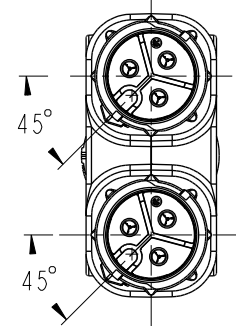
| REV. | ECN NO. | DATE | SIGN | DESCRIPTION |
|------|---------|------------|--------|-------------|
| B | C191866 | 2019/11/06 | Ouyang | △B X5 |
| C | C220487 | 2022/03/31 | Vicky | △C X4 |



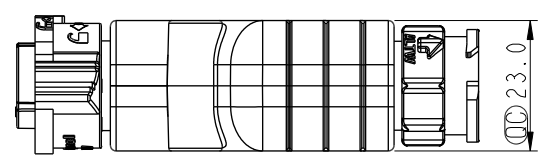
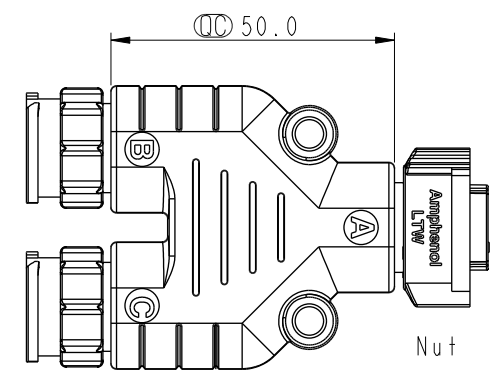
Conn.1
Female Conn
Female Pin
△B



Conn.2
Male Conn
Male Pin
△B



Conn.3
Male Conn
Male Pin
△B



- △C Note:
- * RoHS Compliant
 - * ∅ Important dimension
 - * CI
 - Waterproof rate: IPX8, mated 1m/24h
 - Housing: Thermoplastic, Black
 - Pin: Copper alloy, Gold plated
 - O-Ring: Rubber, Gray
 - Nut: Thermoplastic, Black
 - * C2 & C3
 - Waterproof rate: IPX8, mated 1m/24h
 - Housing: Thermoplastic, Black
 - Pin: Copper alloy, Gold plated
 - * Wire: UL1007, 16AWG
 - * Wire: UL1015, 12AWG
 - * Outer Mold: Thermoplastic, Black

| | | |
|---------------------|--------------|--|
| UNIT:mm | | TITLE ACC, XLOK, C-20A, Y ADA W/O CB FMM |
| TOLERANCE ±0.5mm | SCALE 1:1 | SIZE A4 |
| | REV. C | WC-REV. .0 |
| | | SHEET 1 OF 2 |
| | | ∅: Inspection item |

Amphenol LTW
安費諾亮泰企業股份有限公司

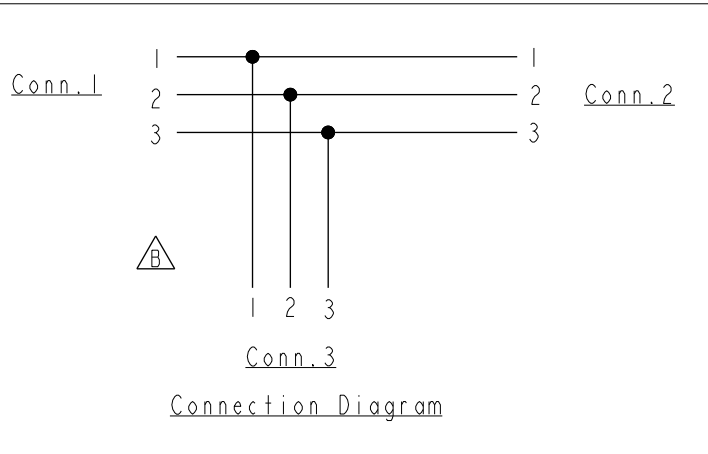
| | | |
|----------------------------------|---------------------|--------------------|
| ITEM NO | DRAWN BY Ouyang | DATE 2019-08-02 |
| DWG NO AB-CC-XXXXXX-FMM-YQ001 | CHECKED BY Jerry | DATE 2019-08-02 |
| CUSTOMER ALTW | APPROVED BY Fred | DATE 2019-08-02 |

THIS DOCUMENT IS SUBJECT TO CHANGE WITHOUT NOTICE. IT IS CONFIDENTIAL AND A PROPERTY OF Amphenol LTW. DISCLOSURE TO THIRD PARTY HAS TO BE AUTHORIZED BY Amphenol LTW.

AB-CC-XXXXXX-FMM-YQ001



XXXXXX: No. Of Pin



| | Pin Assignments Front View | | | |
|---------|----------------------------|----------|------|----------|
| | 2Pin | | 3Pin | |
| Male | | | | |
| Female | | | | |
| Pin Out | Pin# | Color | Pin# | Color |
| | Pin1 | Red(紅) | Pin1 | Red(紅) |
| | Pin3 | Black(黑) | Pin2 | Green(綠) |
| | | | Pin3 | Black(黑) |

| | | | |
|-----------|--------|---------|---------------------------------------|
| UNIT:mm | | TITLE | ACC, XLOK, C-20A, Y ADA W/O CB FMM |
| TOLERANCE | ±0.5mm | SCALE | 1:1 |
| | | SIZE | A4 |
| | | SHEET | 2 OF 2 |
| | | REV. | C |
| | | WC-REV. | .0 |
| | | | Inspection item |

Amphenol LTW
安費諾亮泰企業股份有限公司

| | | |
|------------------------|-------------|------------|
| ITEM NO | DRAWN BY | DATE |
| | Ouyang | 2019-08-02 |
| DWG NO | CHECKED BY | DATE |
| AB-CC-XXXXXX-FMM-YQ001 | Jerry | 2019-08-02 |
| CUSTOMER | APPROVED BY | DATE |
| ALTW | Fred | 2019-08-02 |