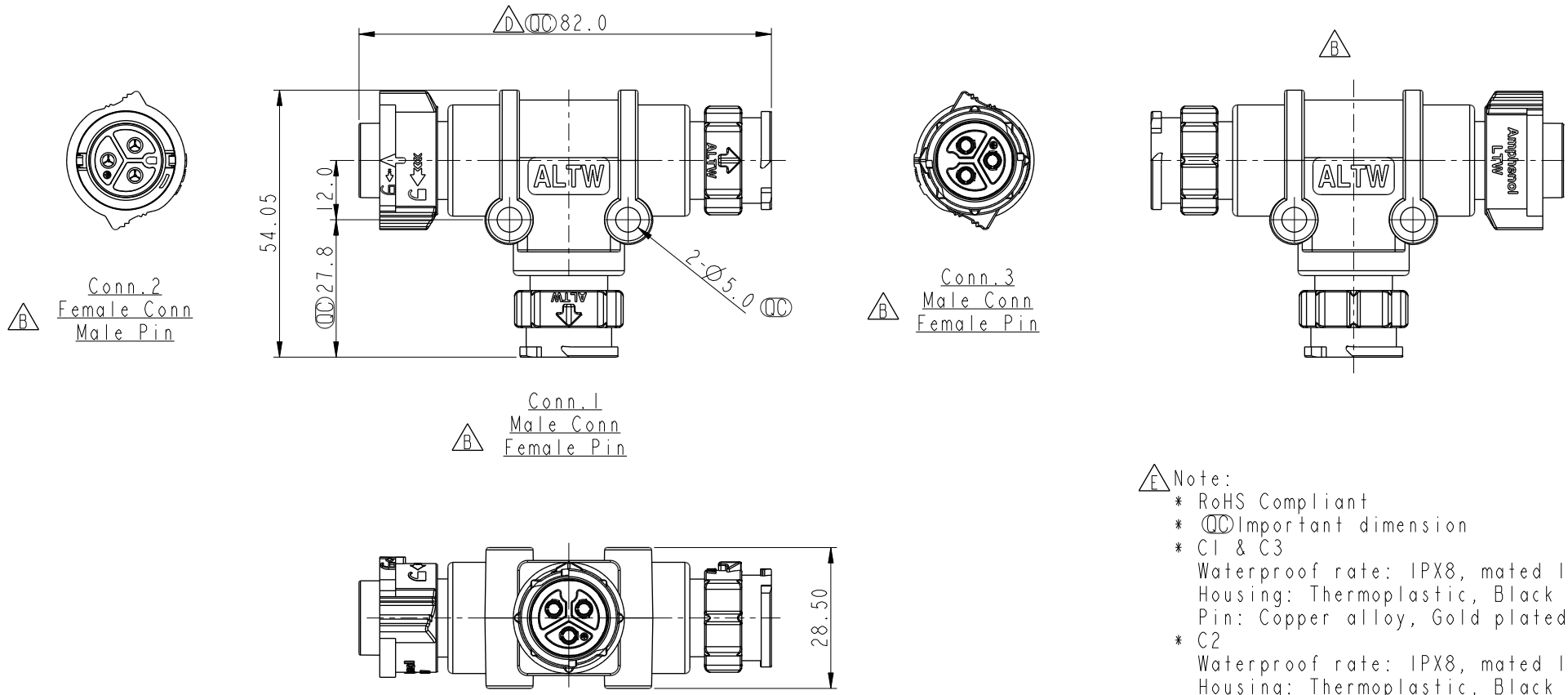


THIS DOCUMENT IS SUBJECT TO CHANGE WITHOUT NOTICE. IT IS CONFIDENTIAL AND A PROPERTY OF Amphenol LTW. DISCLOSURE TO THIRD PARTY HAS TO BE AUTHORIZED BY Amphenol LTW.

REV.	ECN NO.	DATE	SIGN	DESCRIPTION
C	C192112	2019/12/11	Ouyang	$\triangle C$ X2
D	C200958	2020/06/19	Ouyang	$\triangle D$ X1
E	C220487	2022/04/01	Vicky	$\triangle E$ X4



- $\triangle E$ Note:
- * RoHS Compliant
 - * \circledast Important dimension
 - * C1 & C3
 - Waterproof rate: IPX8, mated 1m/24h
 - Housing: Thermoplastic, Black
 - Pin: Copper alloy, Gold plated
 - * C2
 - Waterproof rate: IPX8, mated 1m/24h
 - Housing: Thermoplastic, Black
 - Pin: Copper alloy, Gold plated
 - O-Ring: Rubber, Gray
 - Nut: Thermoplastic, Black
 - * Wire: UL1007, 16AWG
 - * Wire: UL1015, 14AWG
 - * Outer Mold: Thermoplastic, Black

UNIT: mm		TITLE
TOLERANCE	$\pm 0.5mm$	ACC, XLOK, C-20A, T ADA W/O CB MFM
SCALE	1:1	SIZE
REV.	E	A4
WC-REV.	.0	SHEET
		1 OF 2
		\circledast : Inspection item

Amphenol LTW
安費諾亮泰企業股份有限公司

ITEM NO	DRAWN BY	DATE
	Ouyang	2019-08-02
DWG NO	CHECKED BY	DATE
AB-CC-XXXXXX-HBH-TQ001	Jerry	2019-08-02
CUSTOMER	APPROVED BY	DATE
ALTW	Fred	2019-08-02

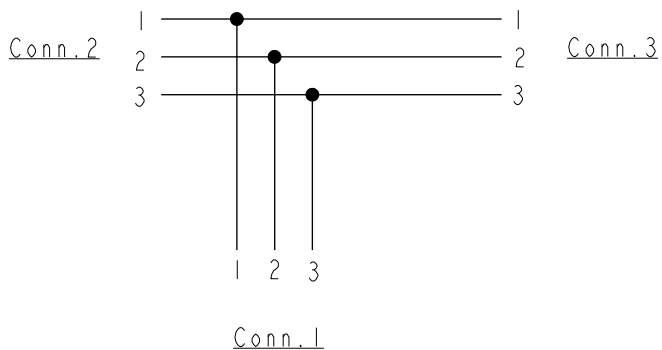
THIS DOCUMENT IS SUBJECT TO CHANGE WITHOUT NOTICE. IT IS CONFIDENTIAL AND A PROPERTY OF Amphenol LTW. DISCLOSURE TO THIRD PARTY HAS TO BE AUTHORIZED BY Amphenol LTW.

AB-CC-XXXXXX-HBH-TQ001



XXXXXX: No. Of Pin

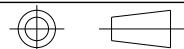
Connection Diagram



Pin Assignments Front View

	Pin Assignments Front View	
	2 Pin	3 Pin
Male		
Female		
Pin Out	Pin# Color	Pin# Color
	Pin1 White 白 Pin3 Black 黑	Pin1 White 白 Pin2 Green 綠 Pin3 Black 黑

UNIT:mm



TOLERANCE

±0.5mm

TITLE ACC, XLOK, C-20A, T ADA W/O CB
MFM

SCALE 1:1

SIZE A4

SHEET 2 OF 2

REV. E

WC-REV. .0

: Inspection item

Amphenol LTW

安費諾亮泰企業股份有限公司

ITEM NO

DWG NO

AB-CC-XXXXXX-HBH-TQ001

CUSTOMER

ALTW

DRAWN BY

Ouyang

CHECKED BY

Jerry

APPROVED BY

Fred

DATE

2019-08-02

DATE

2019-08-02

DATE

2019-08-02