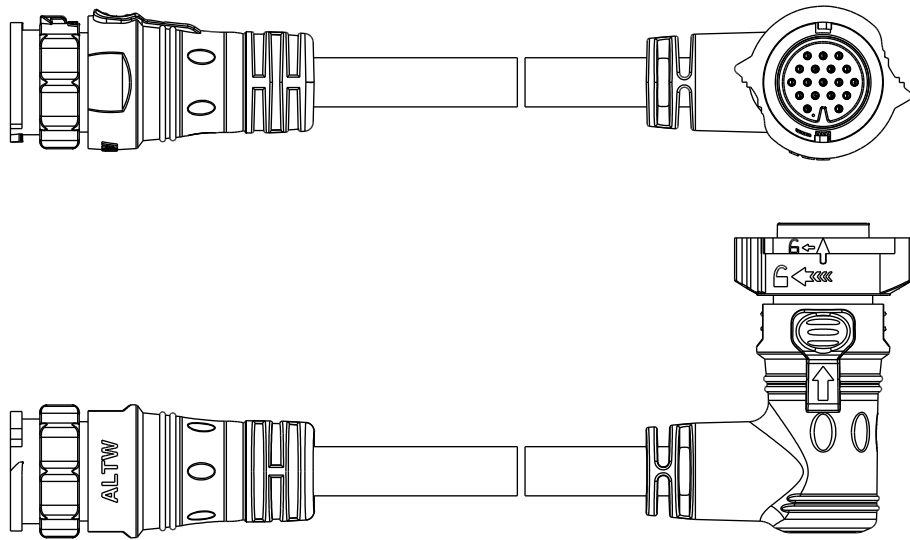
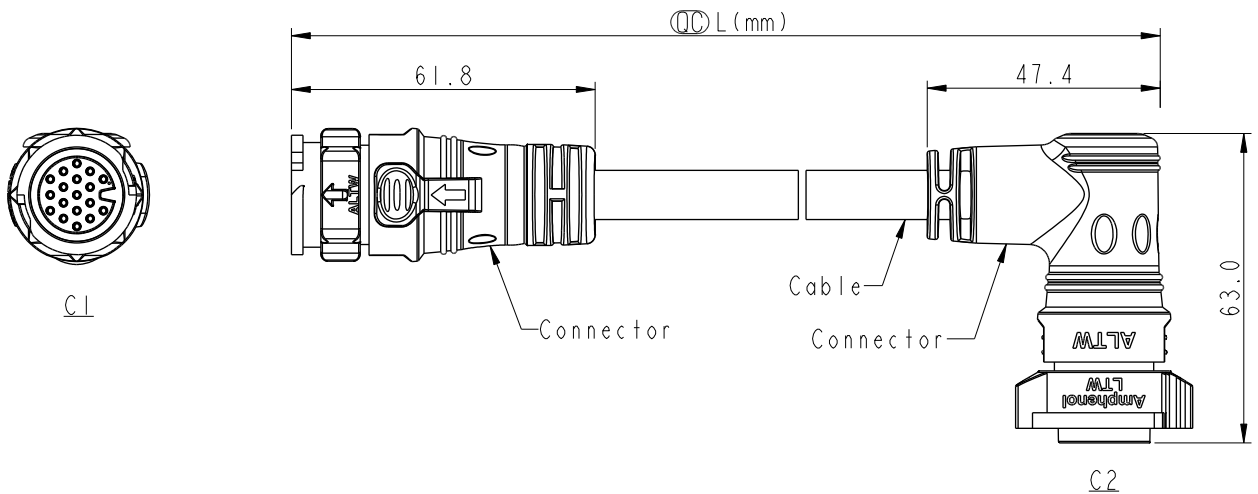


THIS DOCUMENT IS SUBJECT TO CHANGE WITHOUT NOTICE. IT IS CONFIDENTIAL AND A PROPERTY OF Amphenol LTW. DISCLOSURE TO THIRD PARTY HAS TO BE AUTHORIZED BY Amphenol LTW.

REV.	ECN NO.	DATE	SIGN	DESCRIPTION
A		2020/01/15	Ruru	Initial Released



Note:
 * \varnothing Important Dimension.
 * Waterproof Rate: IP68, Mated.
 IP68: 1M depth of water in 24 hours.
 * Connector: Thermoplastic, Black.
 * Pin: Copper Alloy, Gold Plated.
 * Cable: UL21388, PVC Jacket, Black.
 * Cable Length Tolerance:
 0.5M: +60/-0mm
 01M: +60/-0mm
 02~03M: +120/-0mm
 04~05M: +160/-0mm
 06~10M: ±100mm
 11~20M: ±200mm
 21~30M: ±300mm
 31~99M: ±500mm

UNIT:mm	
TOLERANCE	±0.5 mm

TITLE ACC, XLOK, D-5A, DB-ENDED MF		
SCALE 1:2	SIZE A4	SHEET 1 OF 2
REV. A	WC-REV.	\varnothing : Inspection item

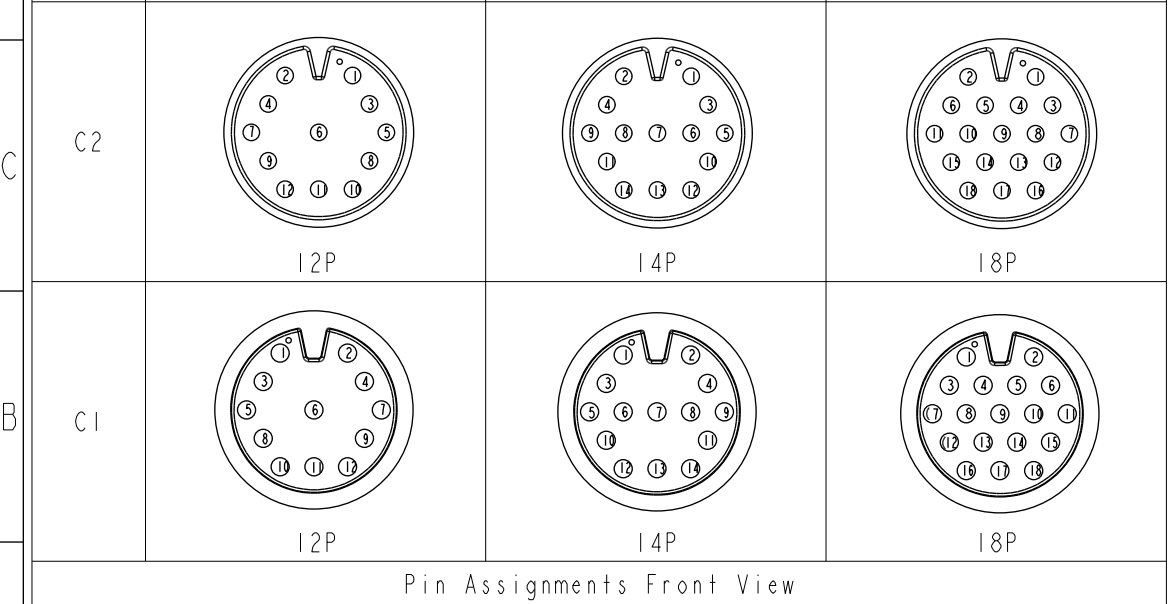
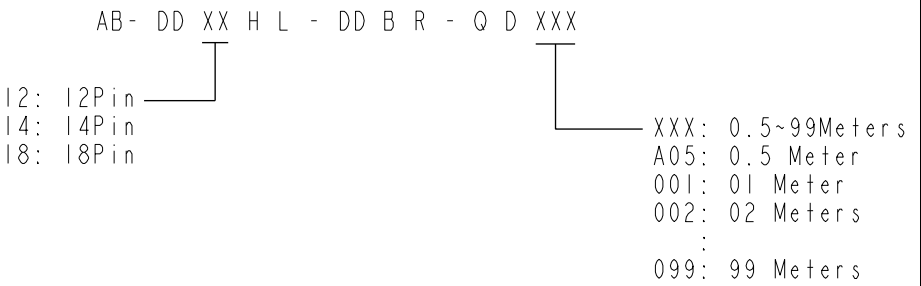
Amphenol LTW
 安費諾亮泰企業股份有限公司

ITEM NO.	DRAWN BY Ruru	DATE 2020-01-15
DWG NO. AB-DDXXHL-DDBR-QDXXX	CHECKED BY Rita	DATE 2020-01-15
CUSTOMER ALTW	APPROVED BY Max	DATE 2020-01-15

THIS DOCUMENT IS SUBJECT TO CHANGE WITHOUT NOTICE. IT IS CONFIDENTIAL AND A PROPERTY OF AMPHENOL LTW. DISCLOSURE TO THIRD PARTY HAS TO BE AUTHORIZED BY AMPHENOL LTW.

18P	PVC	10	20	AB-DD18HL-DDBR-QDXXX
14P		8.5		AB-DD14HL-DDBR-QDXXX
12P		8.5		AB-DD12HL-DDBR-QDXXX
Contacts	Cable Jacket	Cable OD	AWG	Item No.

Pin Out	12	Light Green	淡綠	14	Brown/White	棕/白	18	Blue/White	藍/白
	11	Pink	粉紅	13	Black/White	黑/白	17	Green/White	綠/白
	10	White	白	12	Light Green	淡綠	16	Orange/White	橙/白
	9	Gray	灰	11	Pink	粉紅	15	Red/White	紅/白
	8	Purple	紫	10	White	白	14	Brown/White	棕/白
	7	Blue	藍	9	Gray	灰	13	Black/White	黑/白
	6	Green	綠	8	Purple	紫	12	Light Green	淡綠
	5	Yellow	黃	7	Blue	藍	11	Pink	粉紅
	4	Orange	橙	6	Green	綠	10	White	白
	3	Red	紅	5	Yellow	黃	9	Gray	灰
	2	Brown	棕	4	Orange	橙	8	Purple	紫
	1	Black	黑	3	Red	紅	7	Blue	藍
				2	Brown	棕	6	Green	綠
			1	Black	黑	5	Yellow	黃	
						4	Orange	橙	
						3	Red	紅	
						2	Brown	棕	
						1	Black	黑	



UNIT: mm TOLERANCE ± 0.5 mm		TITLE ACC, XLOK, D-5A, DB-ENDED MF	<h1>Amphenol LTW</h1> <p>安費諾亮泰企業股份有限公司</p>		ITEM NO	DRAWN BY Ruru	DATE 2020-01-15		
		SCALE 1:2			SIZE A4	SHEET 2 OF 2	DWG NO AB-DDXXHL-DDBR-QDXXX	CHECKED BY Rita	DATE 2020-01-15
		REV. A			WC-REV.	QC: Inspection item	CUSTOMER ALTW	APPROVED BY Max	DATE 2020-01-15