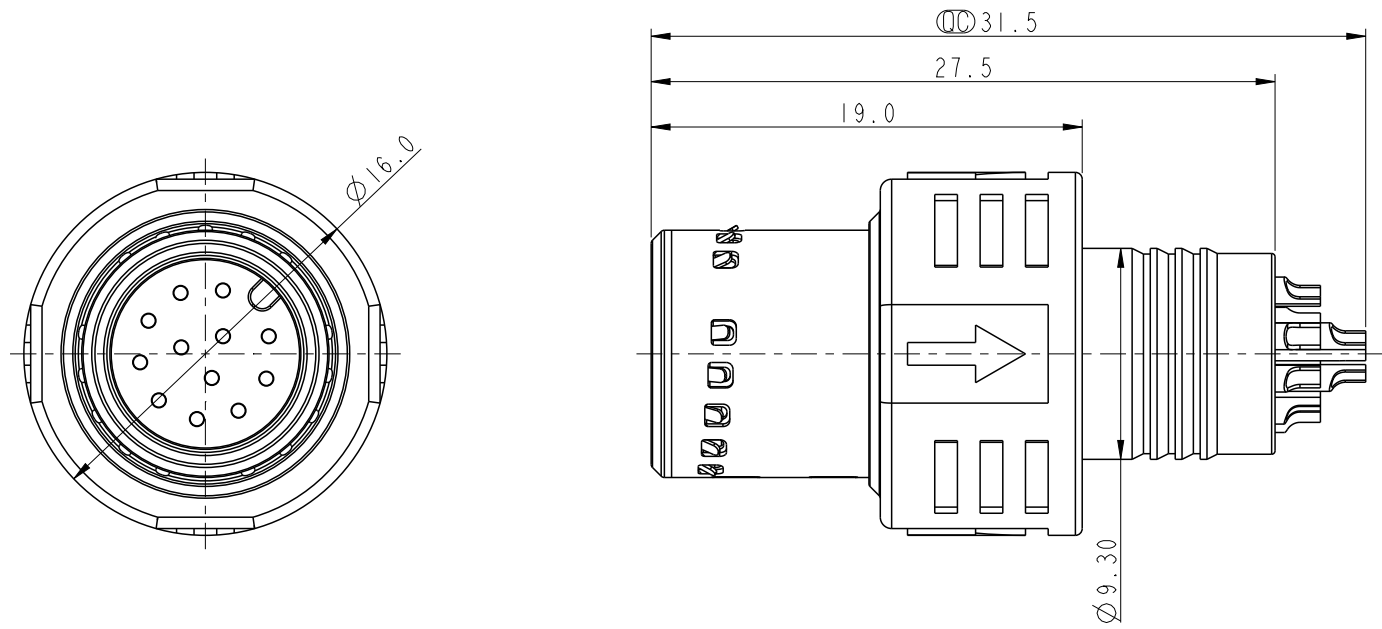

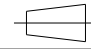


THIS DOCUMENT IS SUBJECT TO CHANGE WITHOUT NOTICE. IT IS CONFIDENTIAL AND A PROPERTY OF AMPHENOL LTW. DISCLOSURE TO THIRD PARTY HAS TO BE AUTHORIZED BY AMPHENOL LTW.

REV.	ECN NO.	DATE	SIGN	DESCRIPTION
A		2021-05-19	Sam Ho	Rev.01 to A, Initial Released



Note:  
 \* RoHS Compliant  
 \*  $\varnothing$  Important Dimension  
 \* Connector  
 Housing: Thermoplastic, Black  
 Pin: Copper Alloy, Gold plated  
 Shield: Metal  
 Slider: Thermoplastic, Black

UNIT: mm	 	TITLE ACC, SEN, A Code, SOLDER M12 A	
		SCALE 3:1	SIZE A4
		REV. A	WC-REV.
TOLERANCE .X ±0.25 .XX ±0.1 .XXX ±0.05 ANGLES ±1°		SHEET 1	OF 1
		$\varnothing$ : Inspection item	

**Amphenol LTW**  
 安費諾亮泰企業股份有限公司

ITEM NO. APPM-A12MAPAN-ASI	DRAWN BY Sam Ho	DATE 2021-05-19
DWG NO. APPM-A12MAPAN-ASI	CHECKED BY Fred Lee	DATE 2021-05-19
CUSTOMER ALTW	APPROVED BY Fred Lee	DATE 2021-05-19