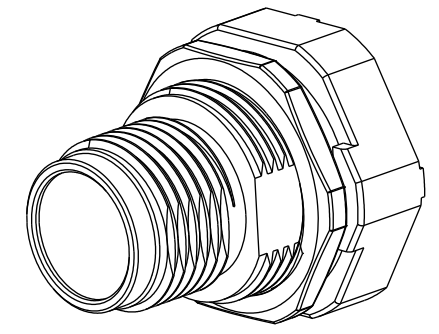
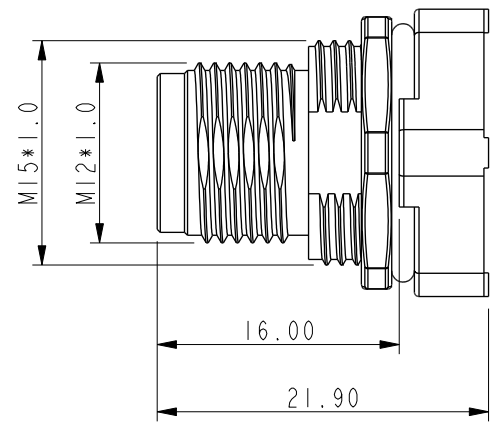
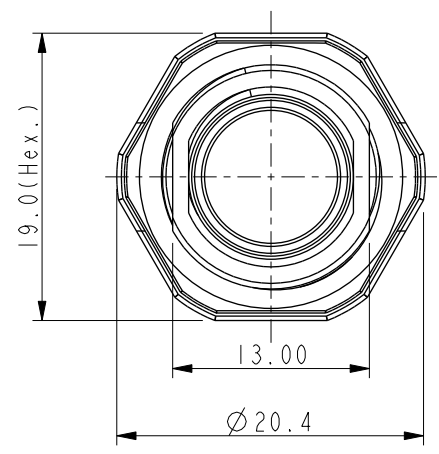
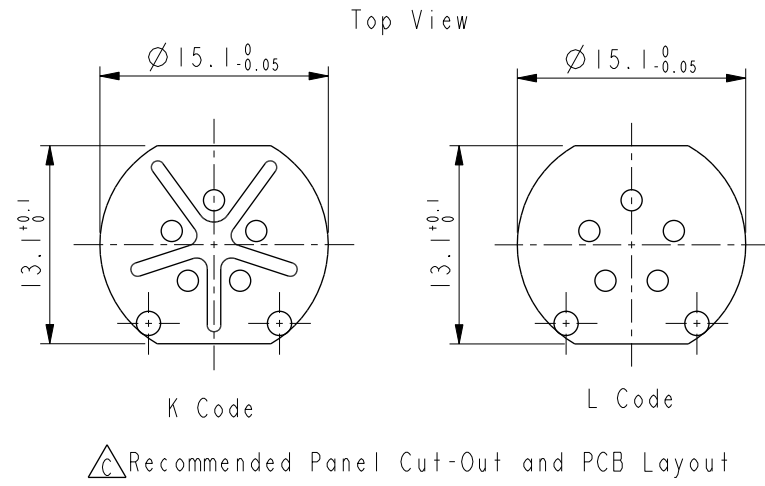
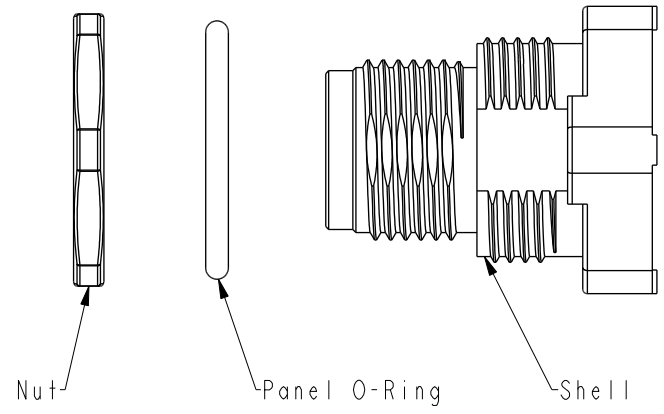


THIS DOCUMENT IS SUBJECT TO CHANGE WITHOUT NOTICE. IT IS CONFIDENTIAL AND A PROPERTY OF Amphenol LTW. DISCLOSURE TO THIRD PARTY HAS TO BE AUTHORIZED BY Amphenol LTW.

REV.	ECN NO.	DATE	SIGN	DESCRIPTION
A		2020-07-30	Allen Pan	Rev.01 To Rev.A
B	C201590	2020-10-19	Allen Pan	$\triangle B$ x2
C	C210292	2020-02-18	Allen Pan	$\triangle C$ x1



- Note:
- 1.Shell: Metal.
 - 2.Nut: Metal.
 - 3.Panel O-Ring: Rubber, Gray.
 - 4.For Panel Thickness Max 4mm.
 - $\triangle B$ 5.Recommended Nut Torque: 4-6kgf.cm.

UNIT: mm		
TOLERANCE		
.X	±0.25	
.XX	±0.1	
.XXX	±0.05	
ANGLES	±1°	

TITLE $\triangle B$ M12 PCB Male Front Fastened Hexagonal Nut Package			
SCALE	SIZE	SHEET	OF
2:1	A4	1	1
REV.	WC-REV.	Inspection item	
C	A.1		

Amphenol LTW
安費諾亮泰企業股份有限公司

ITEM NO.	APPMA-AAAMA012-003	DRAWN BY	Allen Pan	DATE	2020-07-30
DWG NO.	APPMA-AAAMA012-003	CHECKED BY	Sam Ho	DATE	2020-07-30
CUSTOMER	ALTW	APPROVED BY	Fred Lee	DATE	2020-07-30