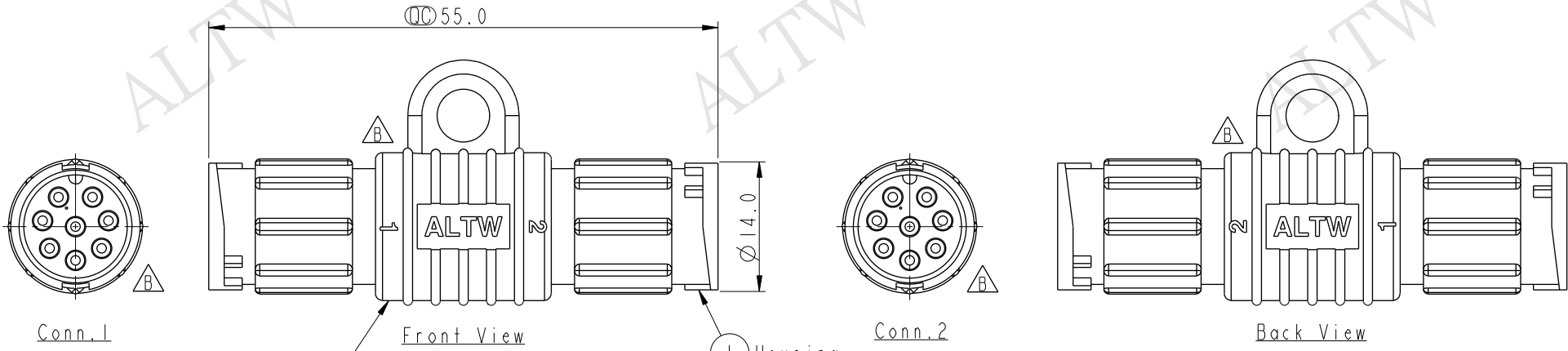
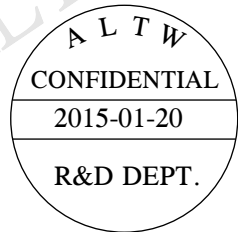


THIS DOCUMENT IS SUBJECT TO CHANGE WITHOUT NOTICE. IT IS CONFIDENTIAL AND A PROPERTY OF Amphenol LTW. DISCLOSURE TO THIRD PARTY HAS TO BE AUTHORIZED BY Amphenol LTW.

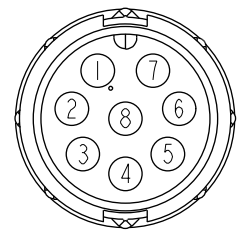
REV.	ECN NO.	DATE	SIGN	DESCRIPTION
B	LEN1510586	2015/01/20	Vicky	Update Logo & Orientation



Wire Harness (3) ~ (10)
 Inner Mold (11)
 Outer Mold (12)
 Color: Black



Note:
 * \varnothing Important Dimension
 * Waterproof Rate: IP66
 * Connector: Nylon+GF, Black
 * Male Pin: Copper Alloy, Gold Plated
 * Wire Harness: UL1007 24AWG



Conn.1&2
 Pin Assignments
 Front View

8	Black	黑	8
7	Blue	藍	7
6	White	白	6
5	Yellow	黃	5
4	Orange	橘	4
3	Red	紅	3
2	Brown	棕	2
1	Green	綠	1
Conn.1	Wire Color		Conn.2
	Pin Out		

UNIT:mm	
TOLERANCE	±0.5 mm

TITLE Standard 1 Adaptor Lock 8Pin MM Conn MM Pin			
SCALE 3:2	SIZE A4	SHEET 1 OF 1	
REV. B	WC-REV. A.2	QC: Inspection item	

Amphenol LTW
 安費諾亮泰企業股份有限公司

ITEM NO BA-000808-0MM-1L001	DRAWN BY Vicky	DATE 2015-01-20
DWG NO BA-000808-0MM-1L001	CHECKED BY Sam	DATE 2015-01-20
CUSTOMER ALTW	APPROVED BY Rita	DATE 2015-01-20