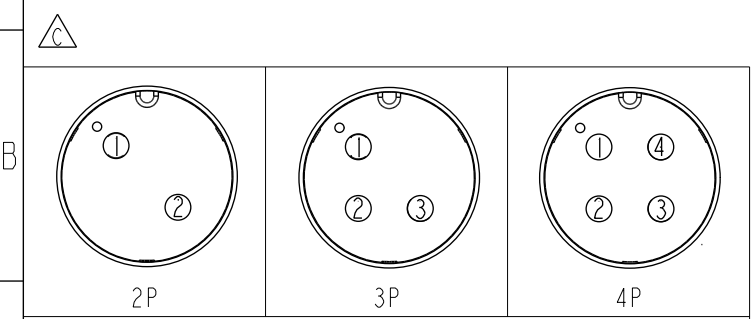
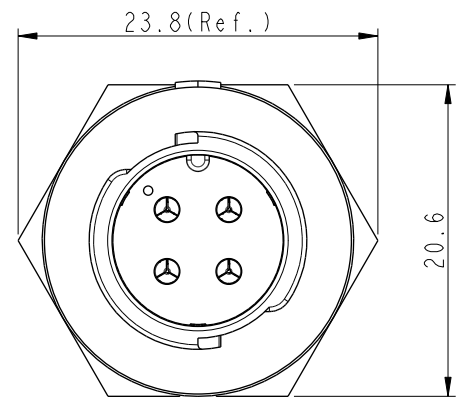
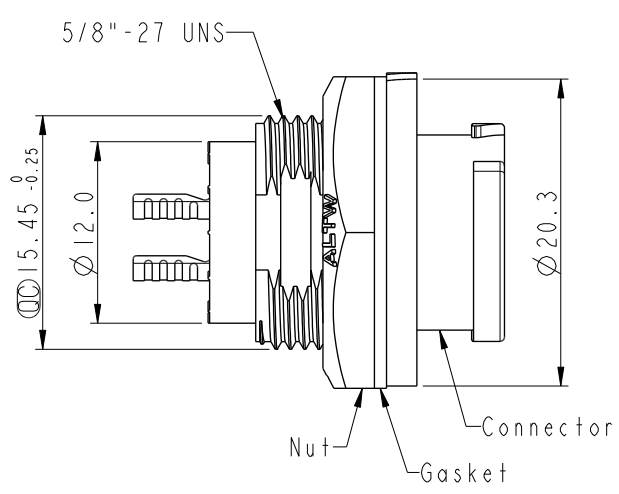
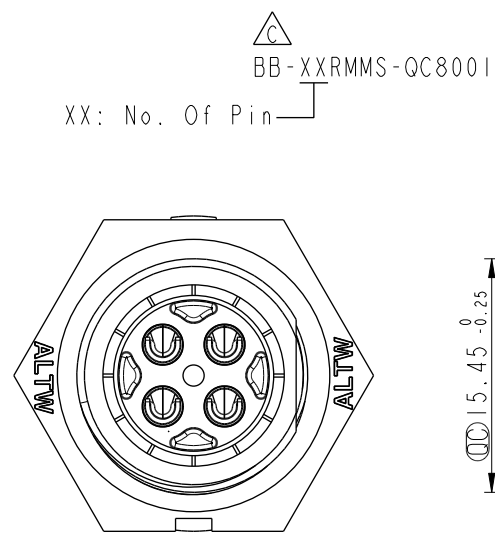
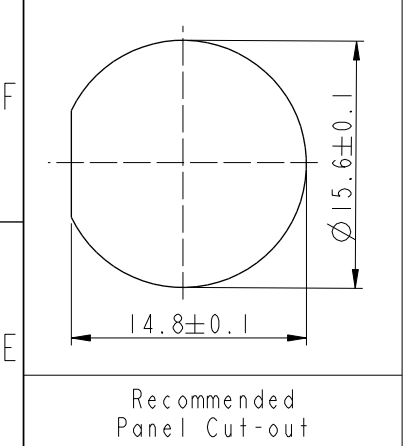
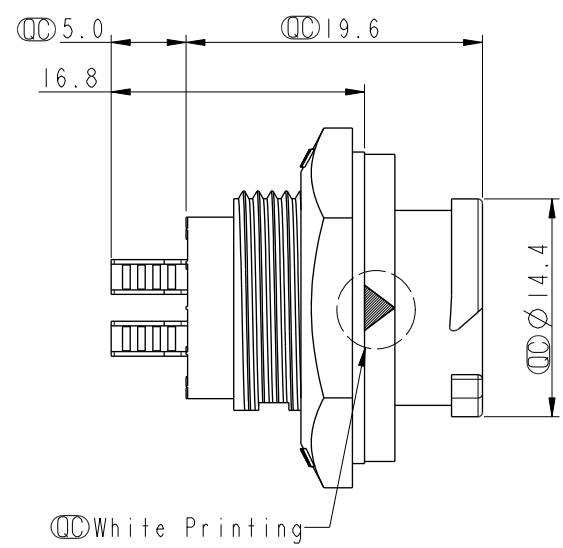


THIS DOCUMENT IS SUBJECT TO CHANGE WITHOUT NOTICE. IT IS CONFIDENTIAL AND A PROPERTY OF AMPHENOL LTW. DISCLOSURE TO THIRD PARTY HAS TO BE AUTHORIZED BY AMPHENOL LTW.

REV.	ECN NO.	DATE	SIGN	DESCRIPTION
B	C190411	2019/03/14	Vicky	Change Note
C	C220466	2022/04/13	Ruru	$\triangle C$ X5



Pin Assignment Front View



- Note:  $\triangle B$   $\triangle C$
- \* RoHS Compliant
  - \*  $\varnothing$  Important dimension
  - \* Waterproof rate: IPX8, unmated 1m/24h
  - \* Connector
  - Housing: Thermoplastic, Black
  - Pin: Copper alloy, Gold plated
  - \* Nut: Thermoplastic, Black
  - \* Gasket: Rubber, Gray
  - \* For panel thickness max: 4.5mm
  - \* Gasket and nut are packed separately in pe bag

UNIT:mm TOLERANCE .X ± 0.25 mm	TITLE XLOK, B-10A, REAR FASTENED M, M, SOLDER, PUSH LOCK $\triangle C$		
	SCALE 2:1	SIZE A4	SHEET 1 OF 1
	REV. C	WC-REV. A.4	$\varnothing$ : Inspection item

**Amphenol LTW**  
安費諾亮泰企業股份有限公司

ITEM NO.	DRAWN BY Vicky	DATE 2019-03-14
DWG NO. BB-XXRMMS-QC8001 $\triangle C$	CHECKED BY Rita	DATE 2019-03-14
CUSTOMER ALTW	APPROVED BY Max	DATE 2019-03-14