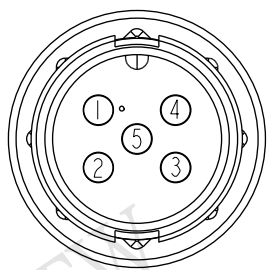
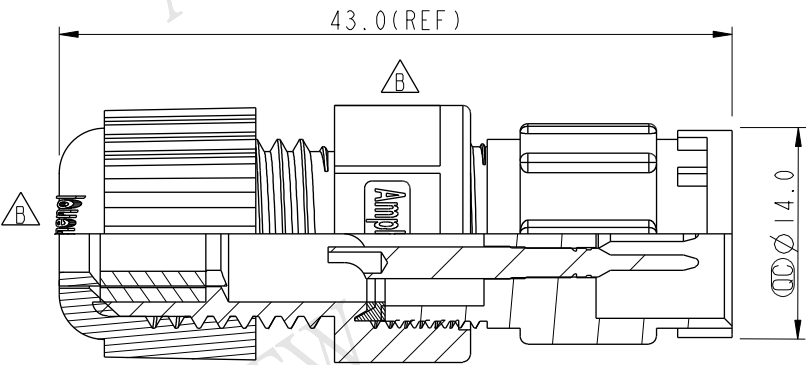
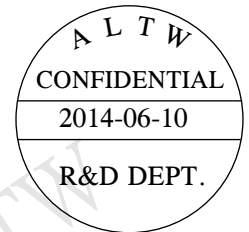
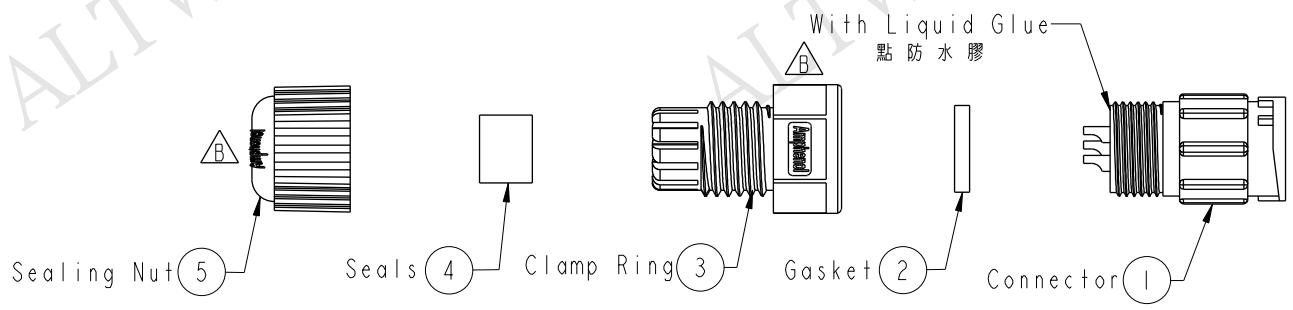


REV.	ECN NO.	DATE	SIGN	DESCRIPTION
B	LEN1460031	2014-06-10	Jason Ou	Change LOGO



Pin Assignments
Front View 前視圖

Note:

- * Waterproof Rate: IP67
- * CC Important Dimension To Check.
(CC 為重點檢驗尺寸)
- * Seals for Cable OD: $\varnothing 4.5\text{mm} \sim \varnothing 6.5\text{mm}$
(防水墊圈線徑: $\varnothing 4.5\text{mm} \sim \varnothing 6.5\text{mm}$)
- * One Set Unassembled In One PE Bag
(每一組未組裝, 放置於一個PE袋, 並封口)
- * Connector: Nylon+GF, Black.
- * Pin: Copper Alloy, Gold Plated
- * Gasket: EPDM, Black.
- * Clamp Ring: Nylon, Black.
- * Seals: EPDM, Black.
- * Sealing Nut: Nylon, Black.
- * Liquid Glue: Clear

A	UNIT: mm	TITLE Standard Assy Lock 5P M Conn M Pin		ITEM NO. BD-05BMMA-LL7001		DRAWN BY Jason Ou		DATE 2014-06-10		
	TOLERANCE .X ± 0.25 .XX ± 0.1 .XXX ± 0.05 ANGLES $\pm 1^\circ$	SCALE 1:1	SIZE A4	SHEET 1	OF 1	DWG NO. BD-05BMMA-LL7001	CHECKED BY Ivan	DATE 2014-06-10		
	REV. B	WC-REV. A.2	CC : Inspection item		CUSTOMER ALTW	APPROVED BY Kevin Hu	DATE 2014-06-10			
					Amphenol LTW 安費諾亮泰企業股份有限公司				8 FMW10702-01-02A1	

THIS DOCUMENT IS SUBJECT TO CHANGE WITHOUT NOTICE. IT IS CONFIDENTIAL AND A PROPERTY OF AMPHENOL LTW. DISCLOSURE TO THIRD PARTY HAS TO BE AUTHORIZED BY AMPHENOL LTW.