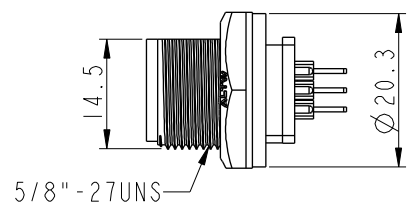
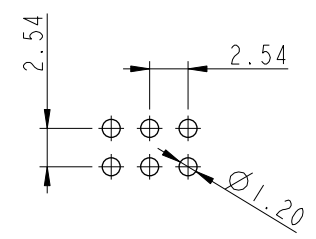


THIS DOCUMENT IS SUBJECT TO CHANGE WITHOUT NOTICE. IT IS CONFIDENTIAL AND A PROPERTY OF Amphenol LTW. DISCLOSURE TO THIRD PARTY HAS TO BE AUTHORIZED BY Amphenol LTW.

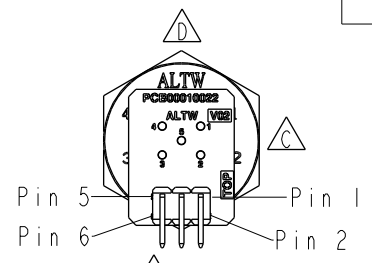
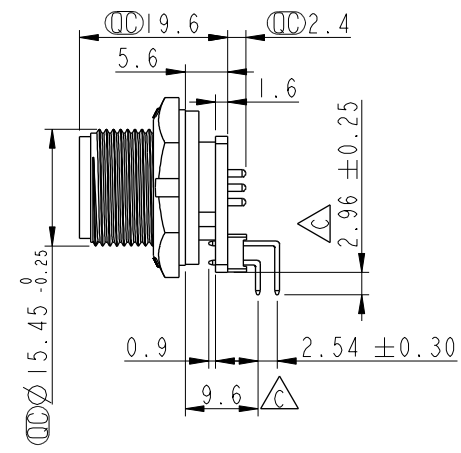
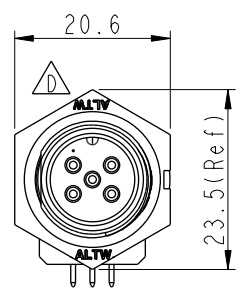
REV.	ECN NO.	DATE	SIGN	DESCRIPTION
B	LEN-8B0507	2008/09/17	Shin	Add Note
C	LEN1680286	2016/08/03	Joyy	Modify The Shape Of The PCB
D	CI90273	2019/03/06	Ruru	Modify Note & Change Logo



Conn.	Wafer
5	5
4	4
3	3
2	2
1	1
Pin Out	

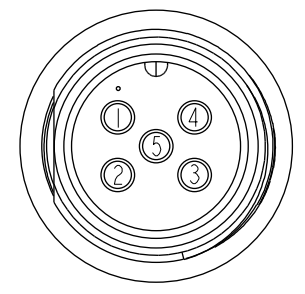
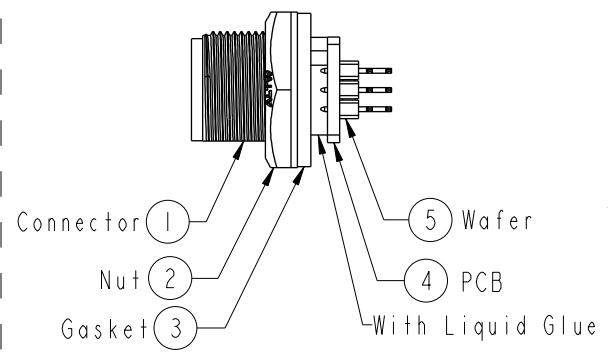


5 Pin Male Connector
Male Pin PCB Layout

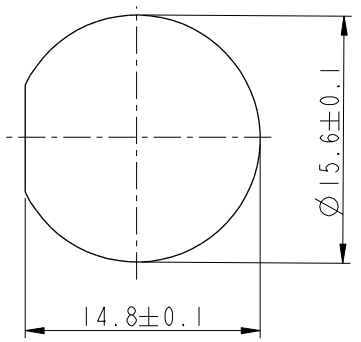


Note: \triangle

- * \odot Important Dimension To Check.
- * Waterproof Rate: IP67, Unmated
- * Housing: Thermoplastic, Black
- * Pin: Copper Alloy, Gold Plated
- * Nut: Thermoplastic, Black
- * Gasket: Rubber, Black
- * PCB: FR4 EPOXY Glass
- * Wafer: PH=2.54 雙排, 90°
- \triangle * Use With Waterproof Cap Or Dust Cap
Panel Thickness Max: 3.0mm
- \triangle * Use Without Waterproof Cap Or Dust Cap
Panel Thickness Max: 4.0mm
- * Gasket and Nut are packed separately in PE bags.



Pin Assignments
Front View



Recommended Panel Cut-out

UNIT:mm	
TOLERANCE	
.X	±0.25
.XX	±0.1
.XXX	±0.05
ANGLES	±1°

TITLE Circular Panel Lock 5 Pin M Conn M Pin For R/A			
SCALE 1:1	SIZE A4	SHEET 1 OF 1	
REV. D	WC-REV. A.3	\odot : Inspection item	

Amphenol LTW
安費諾亮泰企業股份有限公司

ITEM NO. BD-05PMMR-SC7001	DRAWN BY Ruru	DATE 2019-03-06
DWG NO. BD-05PMMR-SC7001	CHECKED BY Rita	DATE 2019-03-06
CUSTOMER ALTW	APPROVED BY Max	DATE 2019-03-06