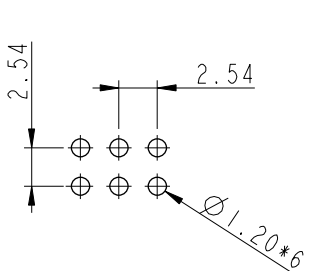
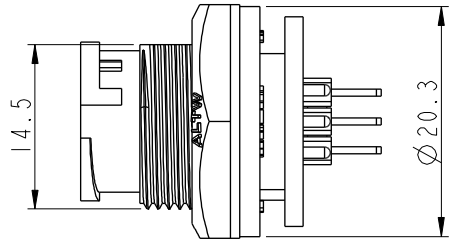
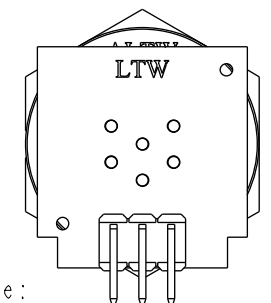
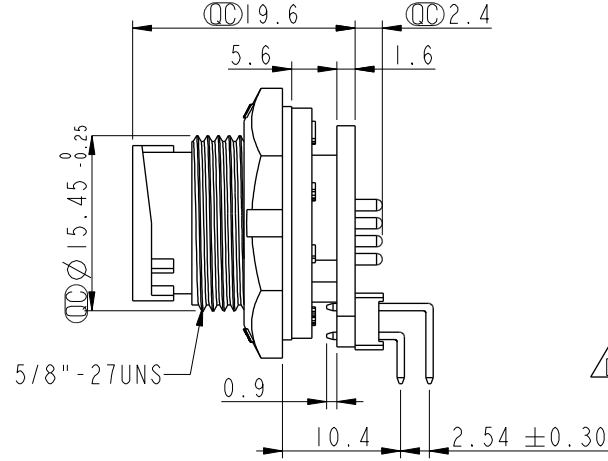
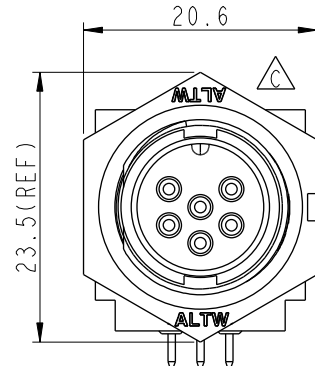




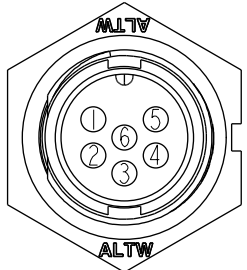
| REV. | ECN NO.    | DATE       | SIGN | DESCRIPTION |
|------|------------|------------|------|-------------|
| C    | LEN1730306 | 2017/03/21 | Ruru | Change Logo |
| D    | CI90273    | 2019/03/06 | Ruru | Modify Note |



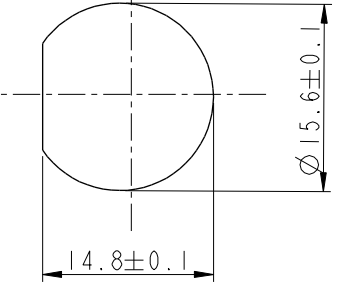
6 Pin Male Connector  
Male Pin PCB Layout



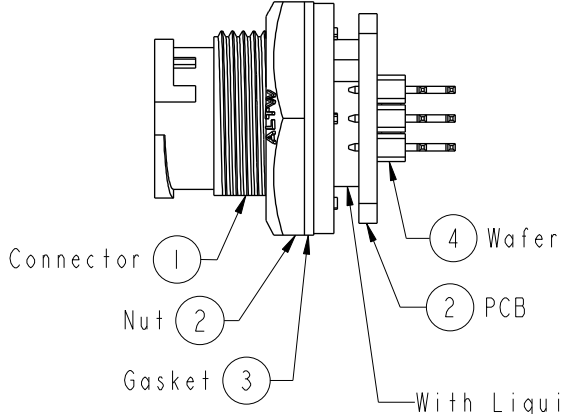
- Note:**
- \*  $\text{Ⓞ}$  Important Dimension To Check.
  - \* Waterproof Rate: IP67, Unmated
  - \* Housing: Thermoplastic, Black
  - \* Pin: Copper Alloy, Gold Plated
  - \* Nut: Thermoplastic, Black
  - \* Gasket: Rubber, Black
  - \* PCB: FR4 EPOXY Glass
  - \* Wafer: PH=2.54 雙排, 90°
  - \*  $\text{⚠}$  Use With Waterproof Cap Or Dust Cap  
Panel Thickness Max: 3.0mm
  - \*  $\text{⚠}$  Use Without Waterproof Cap Or Dust Cap  
Panel Thickness Max: 4.5mm
  - \* Gasket and Nut are packed separately in PE bags.



Pin Assignments  
Front View



Recommended Panel Cut-out



UNIT:mm

|           |       |
|-----------|-------|
| TOLERANCE |       |
| .X        | ±0.25 |
| .XX       | ±0.1  |
| .XXX      | ±0.05 |
| ANGLES    | ±1°   |

|   |                |                              |  |
|---|----------------|------------------------------|--|
| TITLE<br>Circular Panel Lock<br>6Pin M Conn M Pin For R/A |                |                              |  |
| SCALE<br>1:1  | SIZE<br>A4     | SHEET<br>1 OF 1              |  |
| REV.<br>D   | WC-REV.<br>A.3 | $\text{Ⓞ}$ : Inspection item |  |

**Amphenol LTW**  
安費諾亮泰企業股份有限公司

|                              |                    |                    |
|------------------------------|--------------------|--------------------|
| ITEM NO.<br>BD-06PMMR-LC7001 | DRAWN BY<br>Ruru   | DATE<br>2019-03-06 |
| DWG NO.<br>BD-06PMMR-LC7001  | CHECKED BY<br>Rita | DATE<br>2019-03-06 |
| CUSTOMER<br>ALTW             | APPROVED BY<br>Max | DATE<br>2019-03-06 |

THIS DOCUMENT IS SUBJECT TO CHANGE WITHOUT NOTICE. IT IS CONFIDENTIAL AND A PROPERTY OF Amphenol LTW. DISCLOSURE TO THIRD PARTY HAS TO BE AUTHORIZED BY Amphenol LTW.