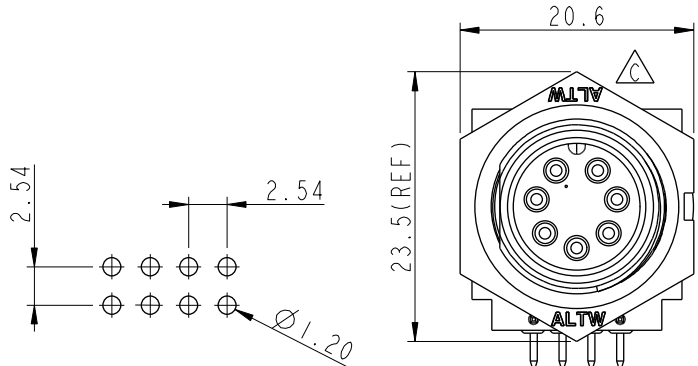
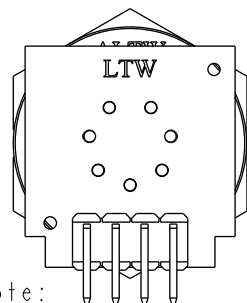
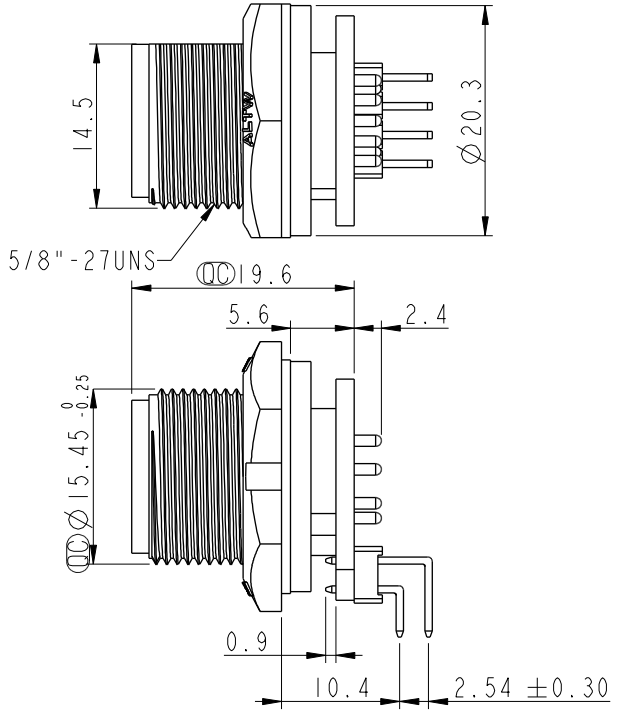




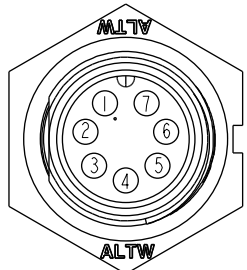
REV.	ECN NO.	DATE	SIGN	DESCRIPTION
C	LEN1730285	2017/03/21	Ruru	Change Logo
D	CI90273	2019/03/06	Ruru	Modify Note



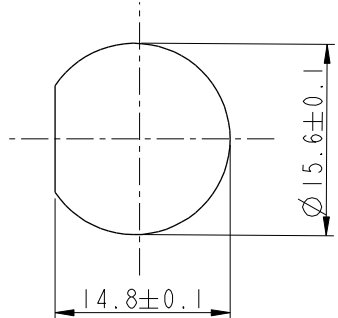
7 Pin Male Connector
Male Pin PCB Layout



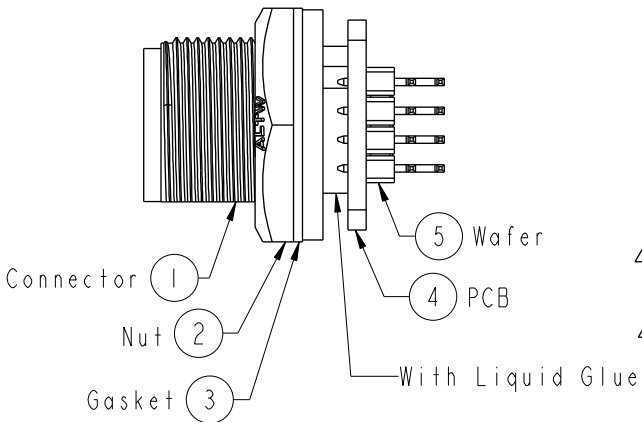
- Note:**
- * Ⓞ Important Dimension To Check.
 - * Waterproof Rate: IP67, Unmated
 - * Housing: Thermoplastic, Black
 - * Pin: Copper Alloy, Gold Plated
 - * Nut: Thermoplastic, Black
 - * Gasket: Rubber, Black
 - * PCB: FR4 EPOXY Glass
 - * Wafer: PH=2.54 雙排, 90°
 - $\triangle B^*$ Use With Waterproof Cap Or Dust Cap
Panel Thickness Max: 3.0mm
 - $\triangle B^*$ Use Without Waterproof Cap Or Dust Cap
Panel Thickness Max: 4.0mm
 - * Gasket and Nut are packed separately in PE bags.



Pin Assignments
Front View



Recommended Panel Cut-out



UNIT:mm	Ⓞ	Ⓞ
TOLERANCE		
.X	± 0.25	
.XX	± 0.1	
.XXX	± 0.05	
ANGLES	$\pm 1^\circ$	

TITLE Circular Panel Screw 7Pin M Conn M Pin For R/A			
SCALE 1:1	SIZE A4	SHEET 1 OF 1	
REV. D	WC-REV. A.3	Ⓞ : Inspection item	

Amphenol LTW
安費諾亮泰企業股份有限公司

ITEM NO. BD-07PMMR-SC7001	DRAWN BY Ruru	DATE 2019-03-06
DWG NO. BD-07PMMR-SC7001	CHECKED BY Rita	DATE 2019-03-06
CUSTOMER ALTW	APPROVED BY Max	DATE 2019-03-06

THIS DOCUMENT IS SUBJECT TO CHANGE WITHOUT NOTICE. IT IS CONFIDENTIAL AND A PROPERTY OF Amphenol LTW. DISCLOSURE TO THIRD PARTY HAS TO BE AUTHORIZED BY Amphenol LTW.