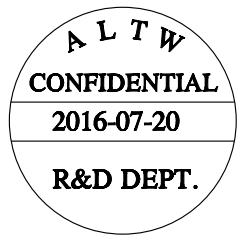
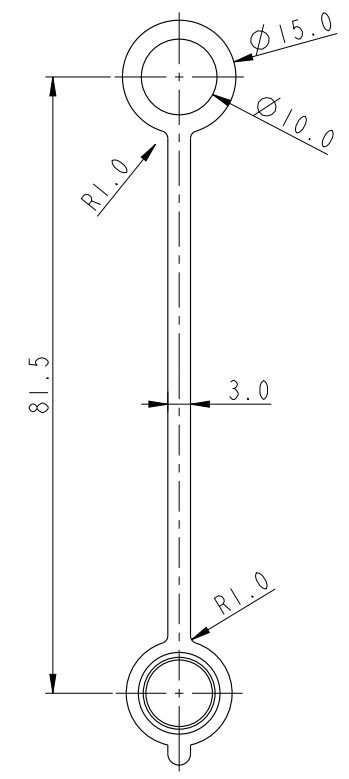
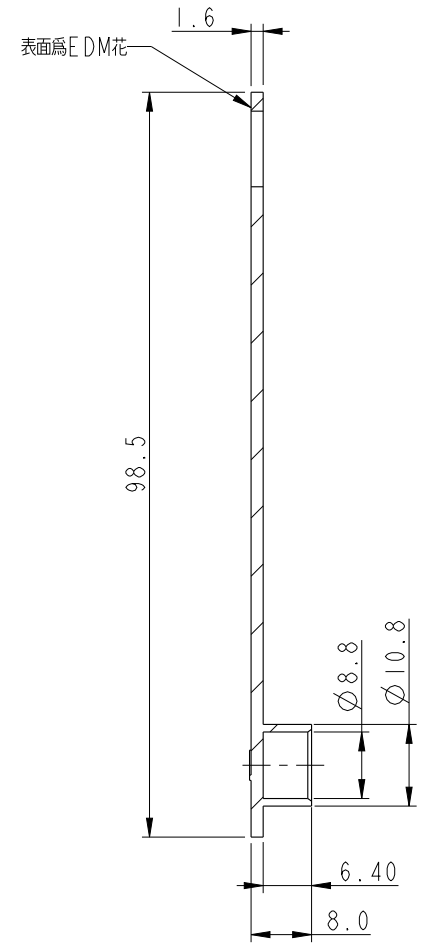
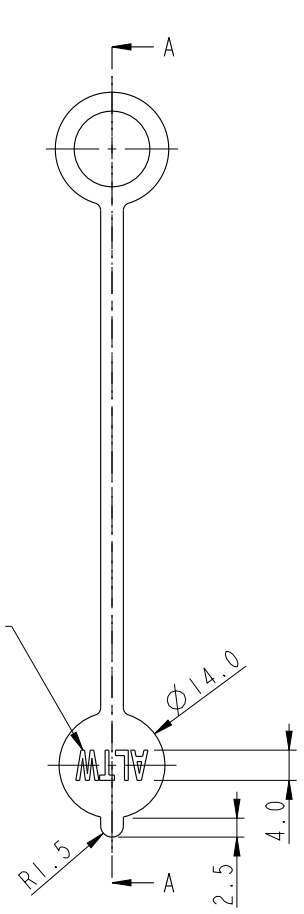


THIS DOCUMENT IS SUBJECT TO CHANGE WITHOUT NOTICE. IT IS CONFIDENTIAL AND A PROPERTY OF AMPHENOL LTW. DISCLOSURE TO THIRD PARTY HAS TO BE AUTHORIZED BY AMPHENOL LTW.

REV.	ECN NO.	DATE	SIGN	DESCRIPTION
A	Initial Release	2013/09/02	Vicky	Old Item No. CAP-DAGMFXC01
B	LEN1670217	2016/07/20	JZ.Lee	Change Logo from "LTW" to "ALTW"



- △ B * 刻字 "ALTW" 亮面
 * 字高 4mm
 * 凸出表面 0.2mm



- Note:
 * (QC) Important Dimension To Check.
 * Material: EPDM 50°
 * Color: Black

UNIT: mm		
TOLERANCE		
.X	±0.25	
.XX	±0.1	
.XXX	±0.05	
ANGLES	±1°	

TITLE 4~8 Pin Female Shielded Connector Cap		
SCALE 1:1	SIZE A4	SHEET OF 1 OF 1
REV. B	WC-REV. A.3	(QC): Inspection item

Amphenol LTW
 安費諾亮泰企業股份有限公司

ITEM NO. CAP-DAGFDCCI	DRAWN BY JZ.Lee	DATE 2016-07-20
DWG NO. CAP-DAGFDCCI	CHECKED BY Jerry	DATE 2016-07-20
CUSTOMER ALTW	APPROVED BY Win	DATE 2016-07-20