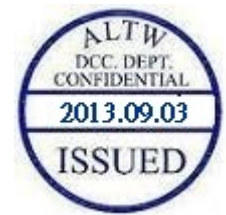
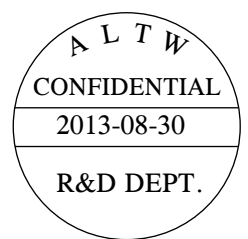
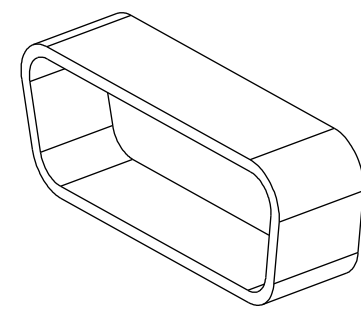
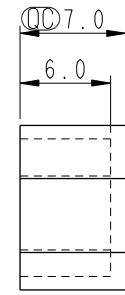
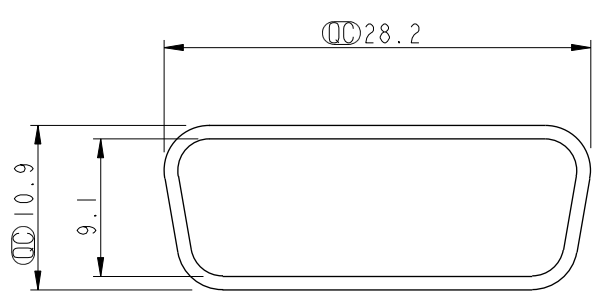


THIS DOCUMENT IS SUBJECT TO CHANGE WITHOUT NOTICE. IT IS CONFIDENTIAL AND A PROPERTY OF Amphenol LTW. DISCLOSURE TO THIRD PARTY HAS TO BE AUTHORIZED BY Amphenol LTW.

REV.	ECN NO.	DATE	SIGN	DESCRIPTION
A	Initial Release	2013/08/30	Vicky	Old Item No. CAP-DD2MMXA1



Note:  
 \*  $\varnothing$  Important Dimension.  
 \* Material: PE, Nature(本色)  
 \* Supplier: KSS  
 \* Supplier Item No.: HR-15M

UNIT: mm		
TOLERANCE		
±0.50 mm		

TITLE Dust Cover For DB15/HD26 M			
SCALE 2:1	SIZE A4	SHEET 1 OF 1	
REV. A	WC-REV. A.1	$\varnothing$ : Inspection item	

**Amphenol LTW**  
 安費諾亮泰企業股份有限公司

ITEM NO. CAP-DD2MDMA1	DRAWN BY Vicky	DATE 2013-08-30
DWG NO. CAP-DD2MDMA1	CHECKED BY Sam	DATE 2013-08-30
CUSTOMER ALTW	APPROVED BY Rita	DATE 2013-08-30