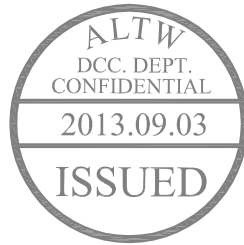
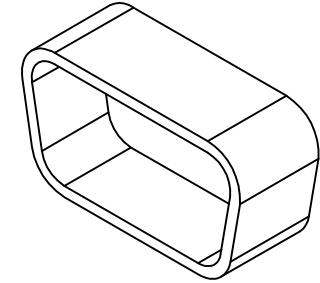
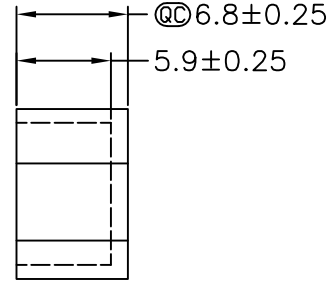
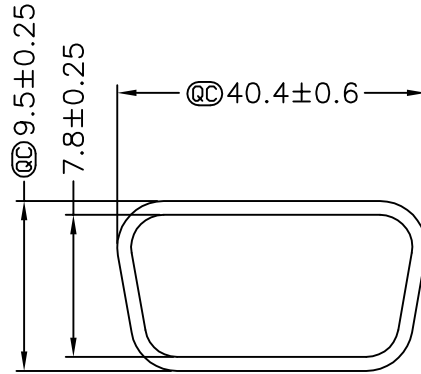


REV.	ECN NO.	DATE	SIGN	DESCRIPTION
A	Initial Release	2013/08/30	Vicky	Old Item No. CAP-DD3MFXA1



- Note:
- * @C Important Dimension.
 - * Material: PE, Nature(本色)
 - * Supplier: KSS
 - * Supplier Item No.: HR-25F

UNIT:mm	
TOLERANCE	
±0.5 mm	

TITLE Dust Cover For DB25/HD44 F		
SCALE Free	SHEET 1 OF 1	
REV. A	SIZE A4	@C :Inspection Item

Amphenol LTW
安費諾亮泰企業股份有限公司

ITEM NO CAP-DD3FDMA1	DRAWN BY Vicky	DATE 2013/08/30
DWG NO CAP-DD3FDMA1	CHECKED BY Sam	DATE 2013/08/30
CUSTOMER ALTW	APPROVED BY Rita	DATE 2013/08/30

DATE 2013/08/30
DATE 2013/08/30
DATE 2013/08/30

THIS DOCUMENT IS SUBJECT TO CHANGE WITHOUT NOTICE. IT IS CONFIDENTIAL AND A PROPERTY OF Amphenol LTW. DISCLOSURE TO THIRD PARTY HAS TO BE AUTHORIZED BY Amphenol LTW.