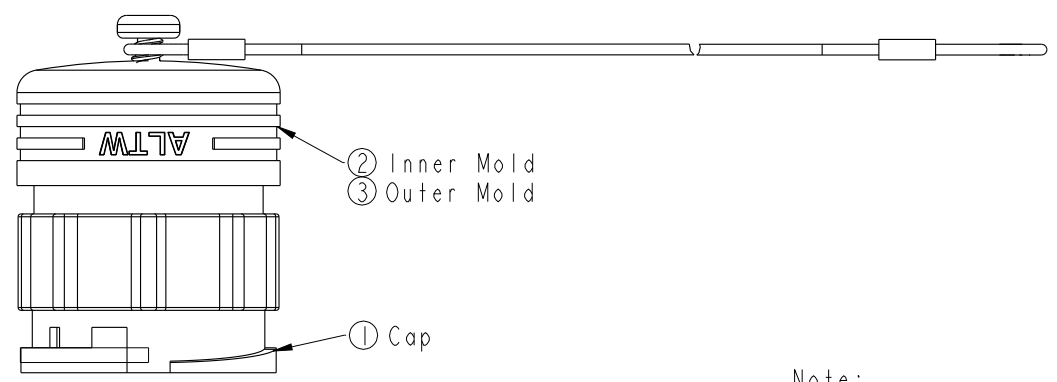
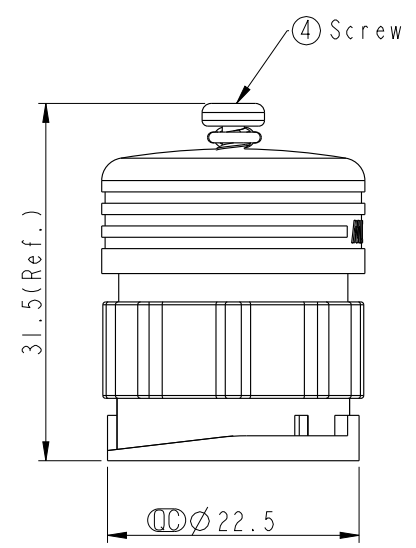
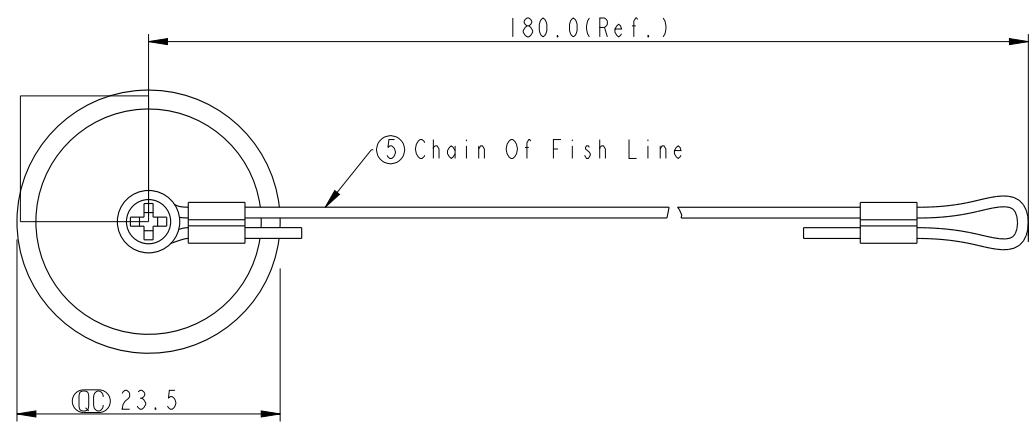


THIS DOCUMENT IS SUBJECT TO CHANGE WITHOUT NOTICE. IT IS CONFIDENTIAL AND A PROPERTY OF AMPHENOL LTW. DISCLOSURE TO THIRD PARTY HAS TO BE AUTHORIZED BY AMPHENOL LTW.

REV.	DESCRIPTION

ALTW
CONFIDENTIAL
2019-06-27
R&D DEPT.



Note:

- * ∅ Important Dimension.
- * Waterproof Rate: IP67
- * Housing: Nylon+GF, Black
- * Screw: Stainless.
- * Fish Line: Nylon.

UNIT: mm		
TOLERANCE	.X ±0.25	
.XX ±0.1		
.XXX ±0.05		
ANGLES	±1°	

TITLE Large Size Waterproof Cap For F Conn F Pin			
SCALE 1:1	SIZE A4	SHEET 1 OF 1	
REV. A	WC-REV. .0	∅: Inspection item	

Amphenol LTW
安費諾亮泰企業股份有限公司

ITEM NO	DRAWN BY Ouyang	DATE 2019-06-27
DWG NO CAP-WADFLCD1	CHECKED BY Jerry	DATE 2019-06-27
CUSTOMER ALTW	APPROVED BY Fred	DATE 2019-06-27