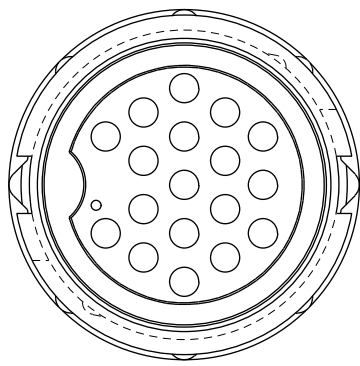
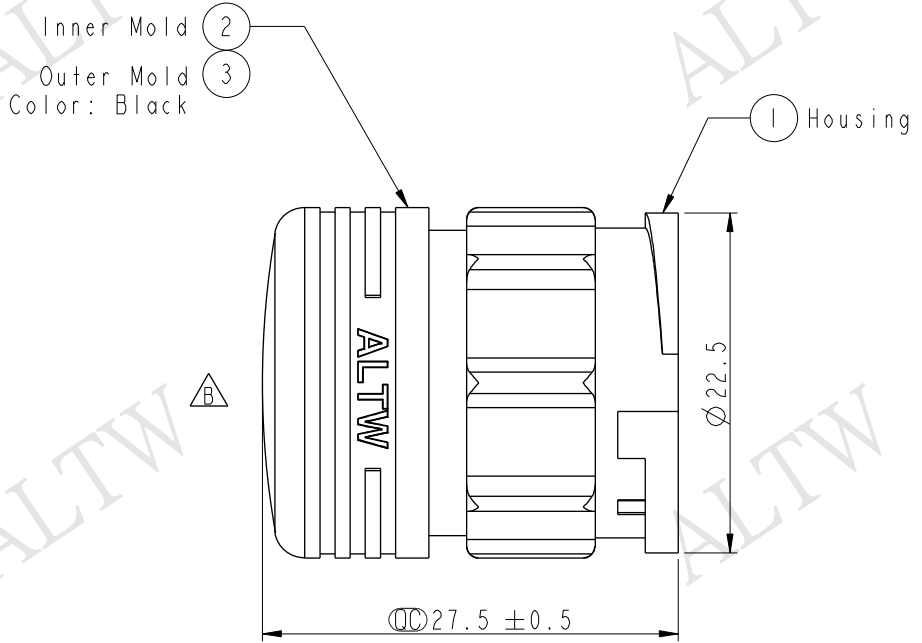


REV.	ECN NO.	DATE	SIGN	DESCRIPTION
A	Initial Release	2013/09/11	Vicky	Old Item No. CAP-WADCFLA2
B	LEN1590029	2015/08/21	Ruru	Change Logo



ALTW
CONFIDENTIAL
2015-08-21
R&D DEPT.

ALTW
DCC. DEPT.
CONFIDENTIAL
2015.09.02
ISSUED

- Note:
- * \varnothing Important Dimension.
 - * Waterproof Rate: IP67
 - * Housing: Nylon+GF, Black

UNIT: mm		
TOLERANCE		
.X	±0.25	
.XX	±0.1	
.XXX	±0.05	
ANGLES	±1°	

TITLE Large Size Waterproof Cap for F Conn M Pin			
SCALE 2:1	SIZE A4	SHEET 1 OF 1	
REV. B	WC-REV. A.1	QC: Inspection item	

Amphenol LTW
安費諾亮泰企業股份有限公司

ITEM NO. CAP-WADFLMA2	DRAWN BY Ruru	DATE 2015-08-21
DWG NO. CAP-WADFLMA2	CHECKED BY Rita	DATE 2015-08-21
CUSTOMER ALTW	APPROVED BY Lion	DATE 2015-08-21

THIS DOCUMENT IS SUBJECT TO CHANGE WITHOUT NOTICE. IT IS CONFIDENTIAL AND A PROPERTY OF AMPHENOL LTW. DISCLOSURE TO THIRD PARTY HAS TO BE AUTHORIZED BY AMPHENOL LTW.