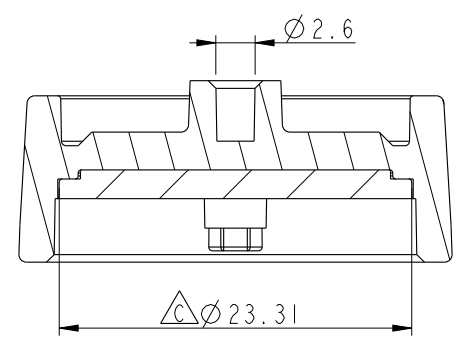
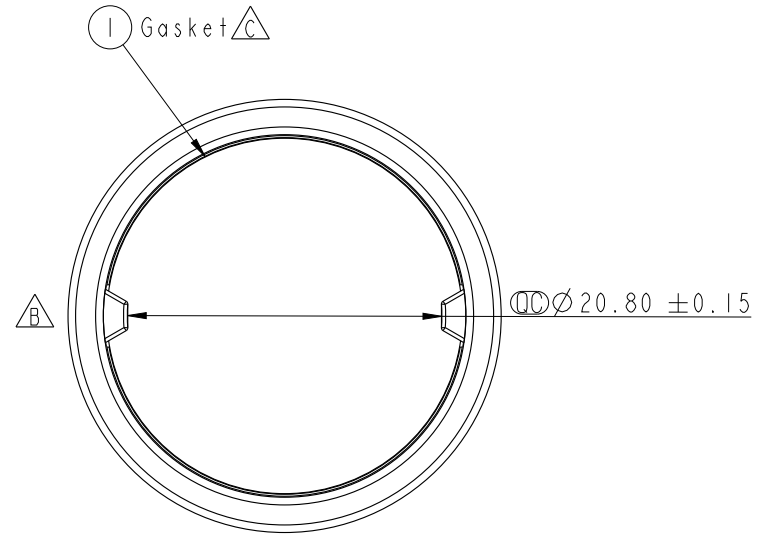
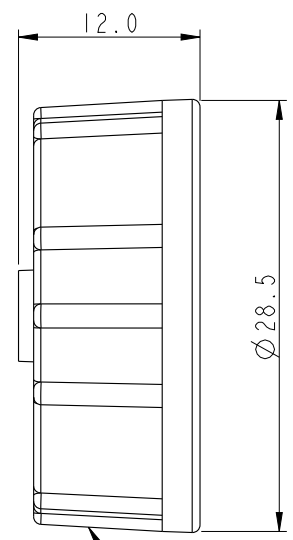
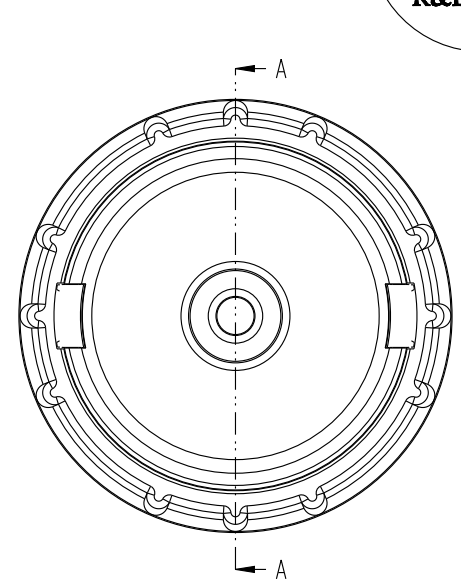


REV.	ECN NO.	DATE	SIGN	DESCRIPTION
B	LEN1490242	2014-08-30	Feng_Li	Change Lock Point
C	LEN1640215	2016-03-21	Joyy	Replace the gasket and Modify the cap's structure

ALTW
CONFIDENTIAL
 2016-03-21
R&D DEPT.



ALTW
 DCC. DEPT.
CONFIDENTIAL
 2016.04.19
ISSUED

Waterproof Cap (C)

Gasket (C)

Note:
 * \varnothing Important Dimension To Check.
 * Waterproof Rate: IP67.
 * Cap: Nylon+GF, Black.
 * Gasket: Silicone, Black.

UNIT: mm		
TOLERANCE	.X	±0.25
	.XX	±0.1
	.XXX	±0.05
ANGLES		±1°

TITLE Waterproof Cap For Male Conn. (C) D Size Lock Type (Use in Circular)			
SCALE	SIZE	SHEET	OF
2:1	A4	1	1
REV.	WC-REV.	\varnothing : Inspection item	
C	A.4		

Amphenol LTW
 安費諾亮泰企業股份有限公司

ITEM NO	CAP-WADMLMAI	DRAWN BY	Joyy	DATE	2016-03-21
DWG NO	CAP-WADMLMAI	CHECKED BY	Lu Di	DATE	2016-03-21
CUSTOMER	ALTW	APPROVED BY	Jerry	DATE	2016-03-21

THIS DOCUMENT IS SUBJECT TO CHANGE WITHOUT NOTICE. IT IS CONFIDENTIAL AND A PROPERTY OF Amphenol LTW. DISCLOSURE TO THIRD PARTY HAS TO BE AUTHORIZED BY Amphenol LTW.