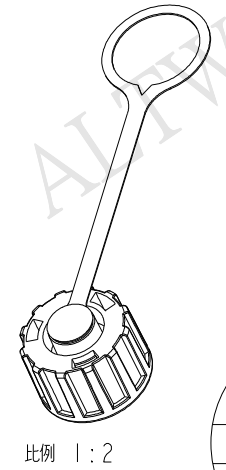
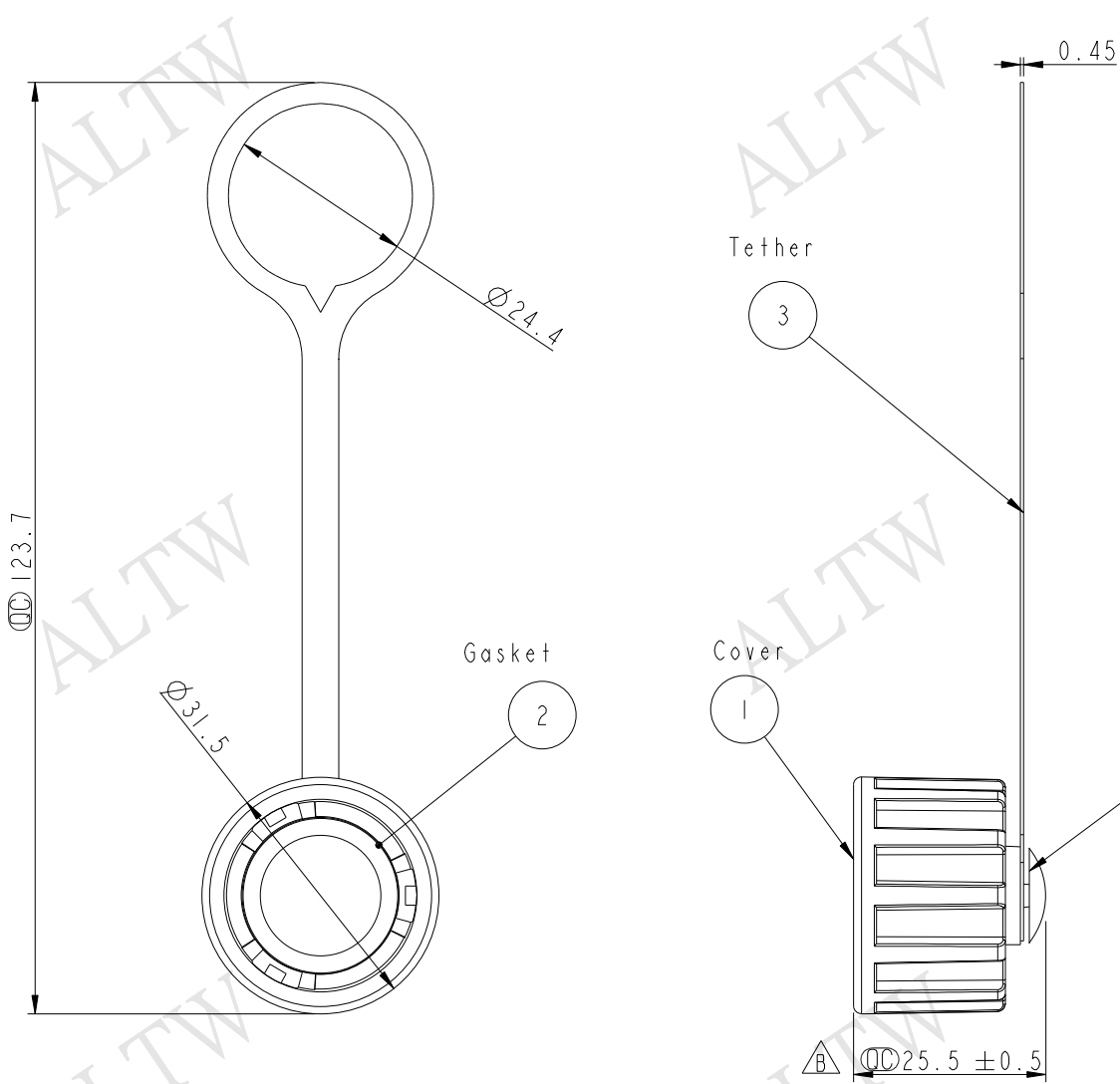


REV.	ECN NO.	DATE	SIGN	DESCRIPTION
B	LEN1750150	2017-04-25	Feng_Li	Modify The Size



ALTW
CONFIDENTIAL
2017-04-25
R&D DEPT.

ALTW
DCC. DEPT.
CONFIDENTIAL
2017.05.18
ISSUED

Note :
 * \varnothing IMPORTANT DIMENSION TO CHECK.
 * CAP : NYLON · BLACK.
 * GASKET : SILICONE · GRAY
 * CAP TETHER : PP · BLACK.
 * PLASTIC RIVET : NYLON · BLACK.

UNIT : mm

TOLERANCE	
.X	±0.25
.XX	±0.1
.XXX	±0.05
ANGLES	±1°

TITLE CAP, RJ45 JACK FOR ODVA			
SCALE 1:1	SIZE A4	SHEET 1 OF 1	
REV. B	WC-REV. A.5	\varnothing : Inspection item	

Amphenol LTW
安費諾亮泰企業股份有限公司

ITEM NO CAP-WEOFTPCI	DRAWN BY Feng_Li	DATE 2017-04-25
DWG NO CAP-WEOFTPCI	CHECKED BY Jinhai	DATE 2017-04-25
CUSTOMER ALTW	APPROVED BY Jerry	DATE 2017-04-25

THIS DOCUMENT IS SUBJECT TO CHANGE WITHOUT NOTICE. IT IS CONFIDENTIAL AND A PROPERTY OF Amphenol LTW. DISCLOSURE TO THIRD PARTY HAS TO BE AUTHORIZED BY Amphenol LTW.