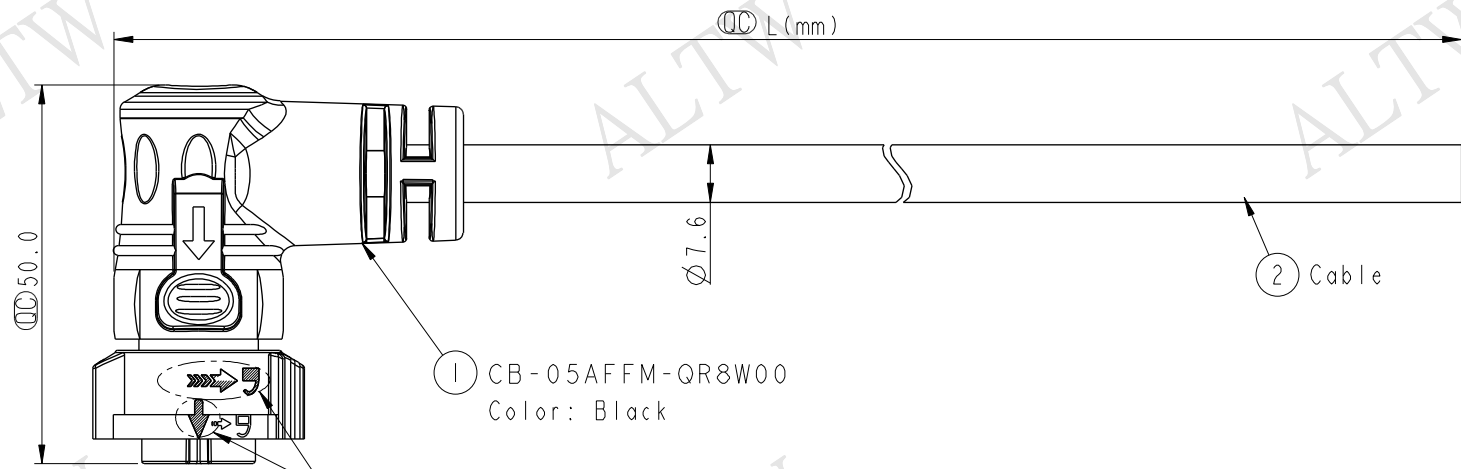
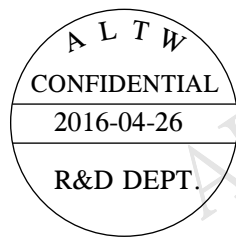


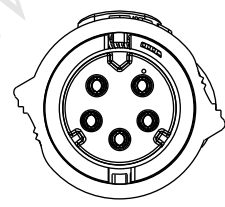
THIS DOCUMENT IS SUBJECT TO CHANGE WITHOUT NOTICE. IT IS CONFIDENTIAL AND A PROPERTY OF AMPHENOL LTW. DISCLOSURE TO THIRD PARTY HAS TO BE AUTHORIZED BY AMPHENOL LTW.

REV.	ECN NO.	DATE	SIGN	DESCRIPTION



1 CB-05AFFM-QR8W00
Color: Black

White Printing
白色印刷

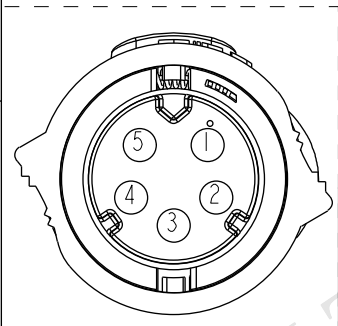


Conn.

CB-05AFFM-QR8DXX

- XX : 01~99Meters
- 01 : 01Meter
- 02 : 02Meters
-
-
- 99 : 99Meters

- Note:
- * \varnothing Important Dimension To Check.
 - * Working Voltage Rating: AC 300 V
 - * Working Current Rating: 10A
 - * Waterproof Rate: IP68(Mated).
(in 1 meter water within 24 hours)
 - * Housing: Nylon+GF, Black.
 - * Female Pin: Copper Alloy, Gold Plated
 - * Cable: UL21388 16AWG*5C+AL.Mylar,
PVC Jacket UV Resistant, OD=7.6, Black.
 - * Cable Length Tolerance: 01M:±40mm
02M~05M:±60mm
06M~10M:±100mm
11M~30M:±200mm
31M~99M:±500mm

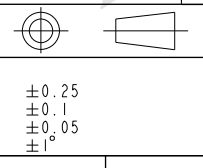


Pin Assignments
Front View

5	Yellow	黃
4	Orange	橙
3	Red	紅
2	Brown	棕
1	Black	黑
Conn.	Wire Color	Pin Out

UNIT:mm

TOLERANCE	
.X	±0.25
.XX	±0.1
.XXX	±0.05
ANGLES	±1°



TITLE X Lok C-Size 90° Cable 5 Pin 10A F Conn. F Pin			
SCALE 1:1	SIZE A4	SHEET 1 OF 1	
REV. A	WC-REV. A.1	\varnothing : Inspection item	

Amphenol LTW
安費諾亮泰企業股份有限公司

ITEM NO	DRAWN BY Wes Fan	DATE 2016-04-26
DWG NO CB-05AFFM-QR8DXX	CHECKED BY Spring Liu	DATE 2016-04-26
CUSTOMER ALTW	APPROVED BY Kevin Hu	DATE 2016-04-26

DATE 2016-04-26
DATE 2016-04-26
DATE 2016-04-26

DATE 2016-04-26
DATE 2016-04-26
DATE 2016-04-26