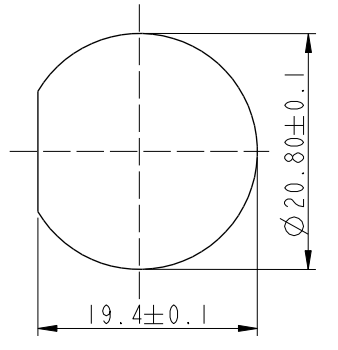


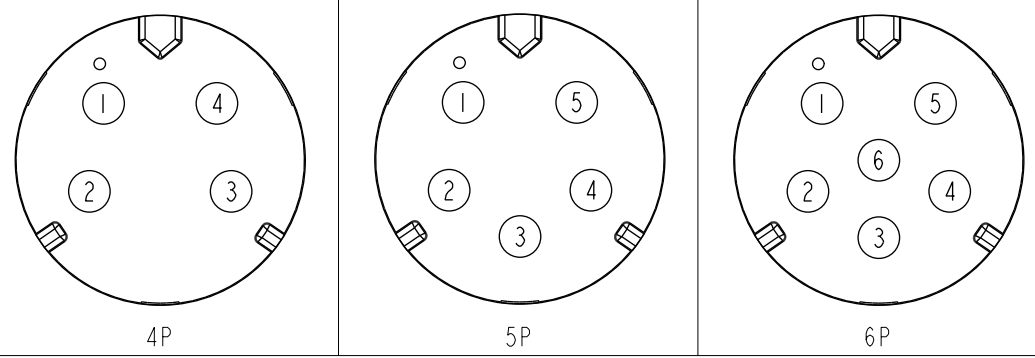
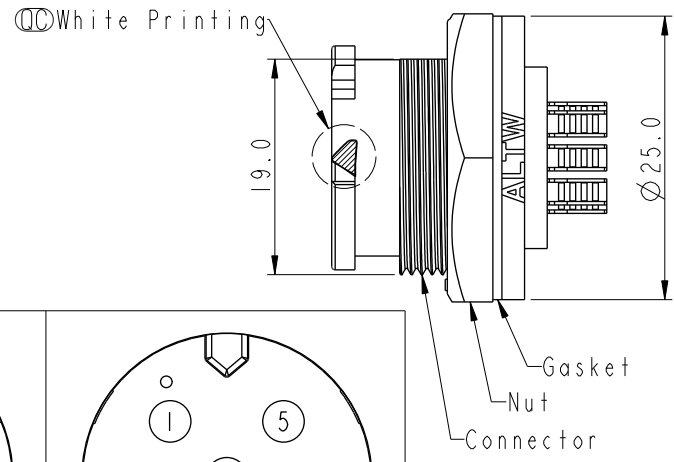
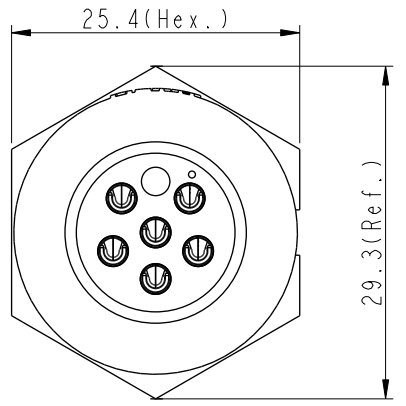
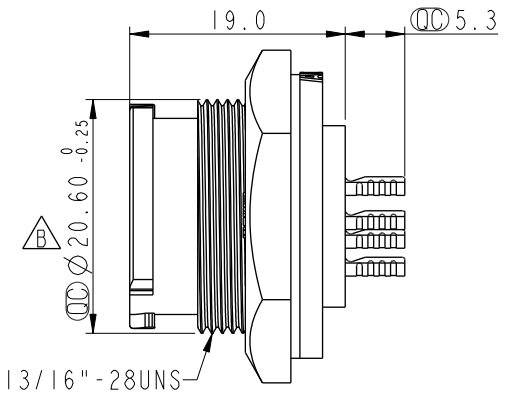
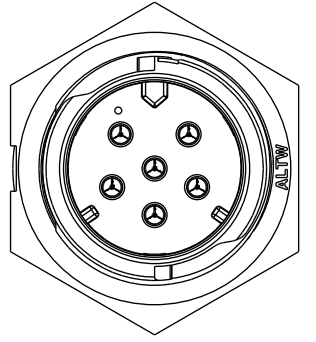
THIS DOCUMENT IS SUBJECT TO CHANGE WITHOUT NOTICE. IT IS CONFIDENTIAL AND A PROPERTY OF Amphenol LTW. DISCLOSURE TO THIRD PARTY HAS TO BE AUTHORIZED BY Amphenol LTW.

REV.	ECN NO.	DATE	SIGN	DESCRIPTION
C	C190470	2019/03/20	Vicky	Change Note
D	C220628	2022/05/09	Vicky	$\triangle D$ X4

$\triangle D$  CB-XXPMS-QC8001  
 XX: No. Of Pin



Recommended Panel Cut-Out



Pin Assignments Front View



Note:

- \* RoHS Compliant
- \*  $\text{\textcircled{C}}$  Important dimension
- \* Waterproof rate: IPX8, unmated 1m/24h
- \* Connector
- Housing: Thermoplastic, Black
- Pin: Copper Alloy, Gold plated
- \* Nut: Thermoplastic, Black
- \* Gasket: Rubber, Gray
- \* Use with waterproof cap or dust cap
- Panel thickness max: 3.0mm
- \* Use without waterproof cap or dust cap
- Panel thickness max: 4.2mm
- \* Gasket and nut are packed separately in pe bag

UNIT: mm		
TOLERANCE	.X ±0.25	
	.XX ±0.1	
	.XXX ±0.05	
ANGLES	±1°	

TITLE XLOK, C-10A, FRONT FASTENED M, M, SOLDER, PUSH LOCK			
SCALE 3:2	SIZE A4	SHEET 1 OF 1	
REV. D	WC-REV. A.4	$\text{\textcircled{C}}$ : Inspection item	

**Amphenol LTW**  
 安費諾亮泰企業股份有限公司

ITEM NO.	DRAWN BY Vicky	DATE 2019-03-20
DWG NO. $\triangle D$ CB-XXPMS-QC8001	CHECKED BY Rita	DATE 2019-03-20
CUSTOMER ALTW	APPROVED BY Max	DATE 2019-03-20