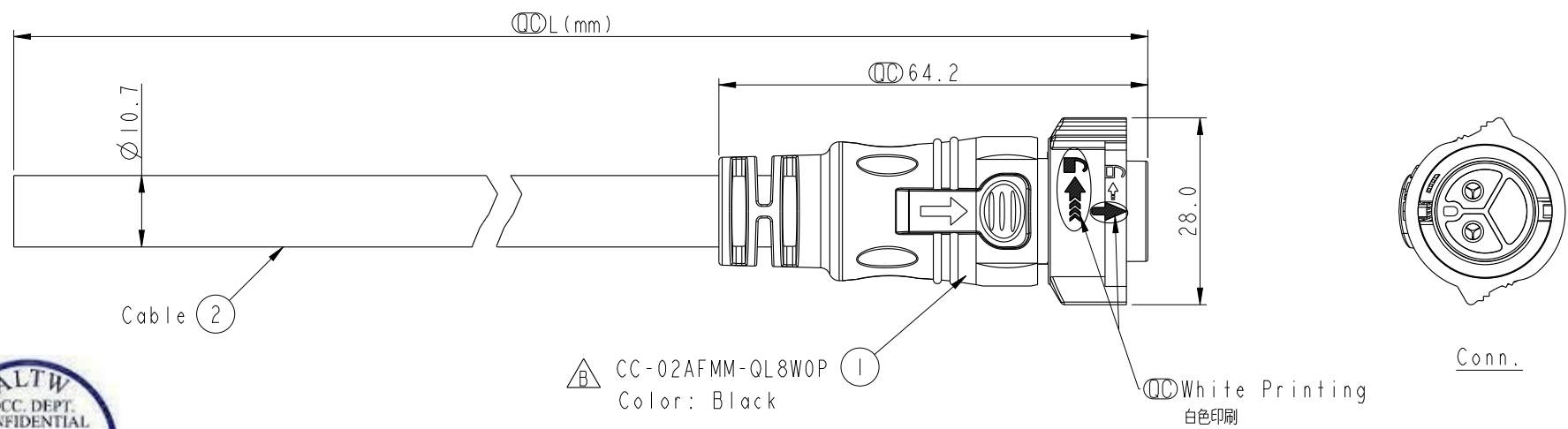


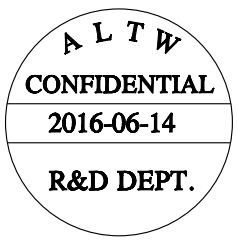
THIS DOCUMENT IS SUBJECT TO CHANGE WITHOUT NOTICE. IT IS CONFIDENTIAL AND A PROPERTY OF Amphenol LTW. DISCLOSURE TO THIRD PARTY HAS TO BE AUTHORIZED BY Amphenol LTW.

REV.	ECN NO.	DATE	SIGN	DESCRIPTION
B	LE31670033	2016-06-14	Tom_Gu	Change Part No. of Half Finished



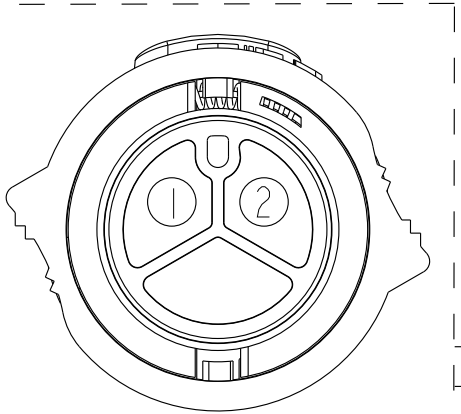
△ CC-02AFMM-QL8WOP
Color: Black

⊘ White Printing
白色印刷



CC-02AFMM-QL8EXX
 ↑
 XX: 01~99Meters
 01: 01Meter
 02: 02Meters
 ...
 99: 99Meters

- △ Note:
- * ⊘ Important Dimension To Check.
 - * Working Voltage Rating: 300V AC
 - * Working Current Rating: Max. 20A
 - * Waterproof Rate: IP68. (Mated)
in 1 meter water within 24 hours
 - * Connector: Nylon+GF, Black.
 - * Male Pin: Copper Alloy, Gold Plated.
 - * Lock Nut: Nylon+GF, Black.
 - * Cable: SJTW 12WG*2C, Black,
PVC Jacket, OD=10.7mm.
 - * Cable Length Tolerance: 01M: ±40mm
02M~05M: ±60mm
06M~10M: ±100mm
11M~30M: ±200mm
31M~99M: ±500mm



Pin Assignments
Front View

2	White	白
1	Black	黑
Conn.	Wire Color	
	Pin Out	

UNIT:mm TOLERANCE ±0.5	TITLE X Lok C-Size Cable 2 Pin 20A F Conn. M Pin			Amphenol LTW 安費諾亮泰企業股份有限公司	ITEM NO	DRAWN BY Tom_Gu	DATE 2016-06-14
	SCALE 1:1	SIZE A4	SHEET 1 OF 1		DWG NO CC-02AFMM-QL8EXX	CHECKED BY Spring_Liu	DATE 2016-06-14
	REV. B	WC-REV. A.1	⊘: Inspection item		CUSTOMER ALTW	APPROVED BY Kevin_Hu	DATE 2016-06-14