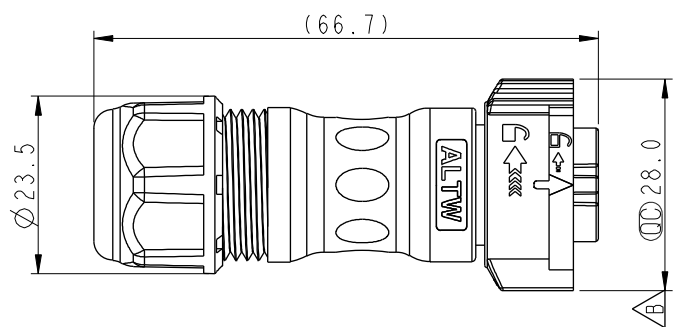
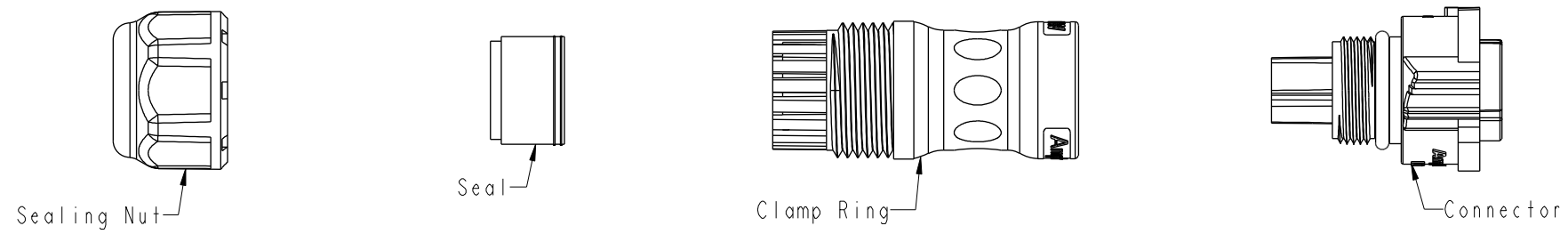


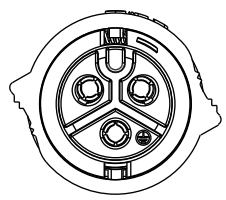
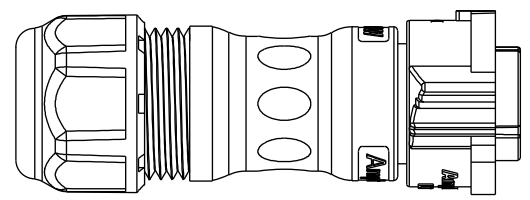
THIS DOCUMENT IS SUBJECT TO CHANGE WITHOUT NOTICE. IT IS CONFIDENTIAL AND A PROPERTY OF Amphenol LTW. DISCLOSURE TO THIRD PARTY HAS TO BE AUTHORIZED BY Amphenol LTW.

REV.	ECN NO.	DATE	SIGN	DESCRIPTION
B	E191899	2019/11/12	Ruru	$\triangle B$ X4

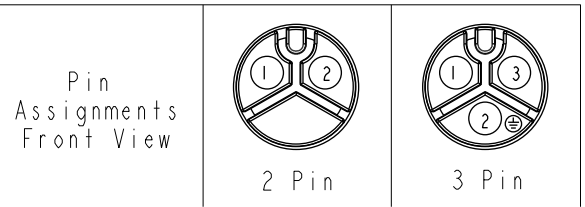


CC-XXBFFA-QL8XPP
 02-2 Pin
 03-3 Pin

S: With Red Color Seal 1, Cable OD 6.0~8.0mm.
 M: With Yellow Color Seal 2, Cable OD 8.0~10.0mm.
 L: With Blue Color Seal 3, Cable OD 10.0~12.0mm.
 A: With Seal 1 & Seal 2 & Seal 3.



- $\triangle B$ Note:
- * CC Important Dimension
 - * Waterproof Rate: IP68, Mated
IP68 : 1M Depth Of Water In 24hours
 - * Housing: Thermoplastic, Black
 - * Pin: Copper Alloy, Gold Plated
 - * Clamp Ring: Thermoplastic, Black
 - * Sealing Nut: Thermoplastic, Black
 - * Seals: Rubber



A	UNIT:mm	CC	TITLE	Amphenol LTW 安費諾亮泰企業股份有限公司	ITEM NO	DRAWN BY	DATE				
	TOLERANCE	$\pm 0.5 \text{ mm}$	XLOK, C-20A, CABLE W/O SR F, F, FI CRIMP, XLOK $\triangle B$		DWG NO	Ruru	2019-11-12				
	SCALE	1:1	SIZE		A4	SHEET	1	OF	1	CHECKED BY	Rita
REV.	B	WC-REV.	A.1	CC : Inspection item	CUSTOMER	ALTW	APPROVED BY	Max	DATE	2019-11-12	