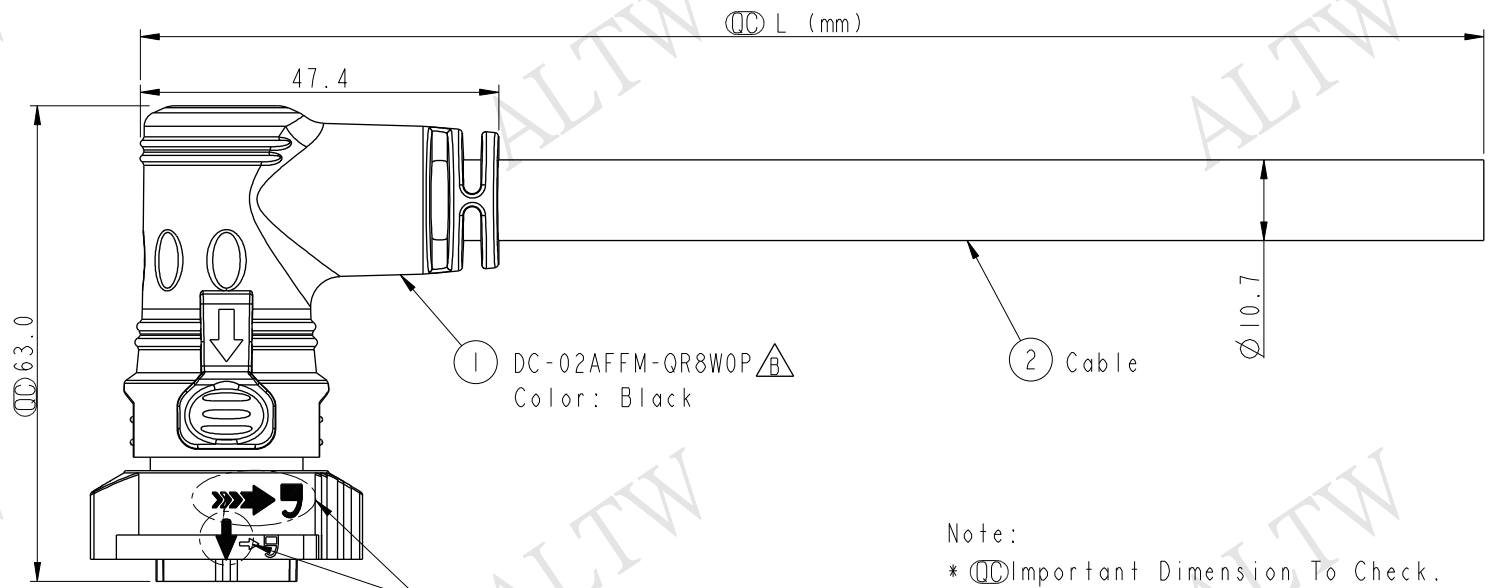
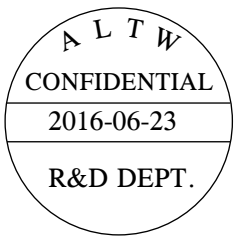


THIS DOCUMENT IS SUBJECT TO CHANGE WITHOUT NOTICE. IT IS CONFIDENTIAL AND A PROPERTY OF Amphenol LTW. DISCLOSURE TO THIRD PARTY HAS TO BE AUTHORIZED BY Amphenol LTW.

REV.	ECN NO.	DATE	SIGN	DESCRIPTION
A	Initial Release	2016-02-16	Wes	Change Rev.01 To Rev.A
B	LE31660479	2016-06-23	Wes	Change Part NO. of Half-finished



① DC-02AFFM-QR8W0P $\triangle B$
Color: Black

② Cable

③ Printing White
白色印刷

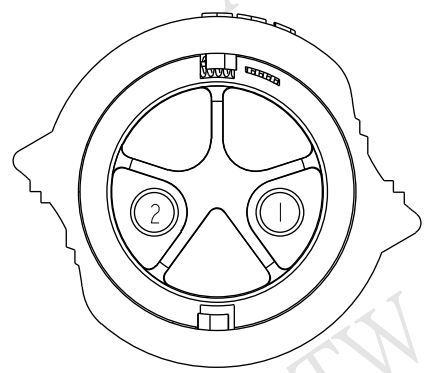
DC-02AFFM-QR8E XX

XX :01~99Meters
01 :01Meter
02 :02Meters
...
99 :99Meters

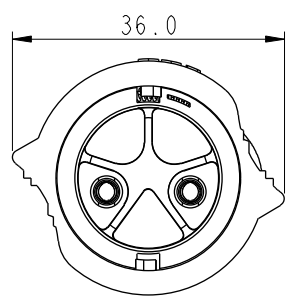
Cable Length(L):01~99Meters

Note:

- * $\text{\textcircled{L}}$ Important Dimension To Check.
- * Working Voltage Rating: AC 300V
- * Working Current Rating: Max. 20A
- * Waterproof Rate: IP68(Mated)
In 1 meters water within 24hours.
- * Housing: Nylon+GF, Black (UV Resistance)
- * Female Pin: Copper Alloy, Gold & Ni Plated
- * Cable: SJTW 12AWG*2C, PVC Jacket,
OD=10.7, Black.
- * Cable Length Tolerance:01M:±40mm
02M~05M:±60mm
06M~10M:±100mm
11M~30M:±200mm
31M~99M:±500mm



Pin Assignments
Front View



Conn.

2	White	白
1	Black	黑
Conn.	Wire Color	
	Pin Out	

UNIT:mm		
TOLERANCE	±0.5	

TITLE X-Lok D Size Cable Molding 2 Pin F Connector F Pin(20A)			
SCALE 1:1	SIZE A4	SHEET 1 OF 1	
REV. B	WC-REV. A.5	$\text{\textcircled{L}}$: Inspection item	

Amphenol LTW
安費諾亮泰企業股份有限公司

ITEM NO	DRAWN BY Wes Fan	DATE 2016-06-23
DWG NO DC-02AFFM-QR8EXX	CHECKED BY Spring Liu	DATE 2016-06-23
CUSTOMER ALTW	APPROVED BY Kevin Hu	DATE 2016-06-23