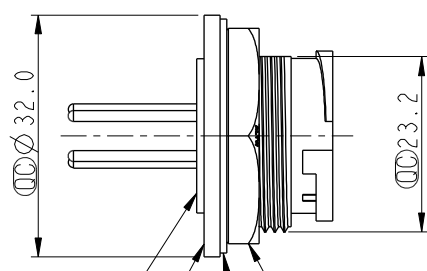
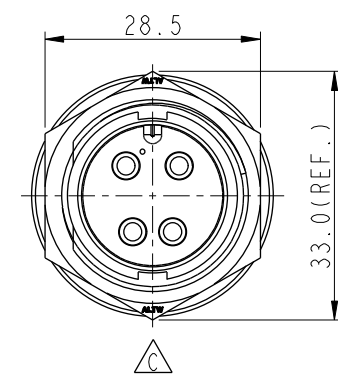
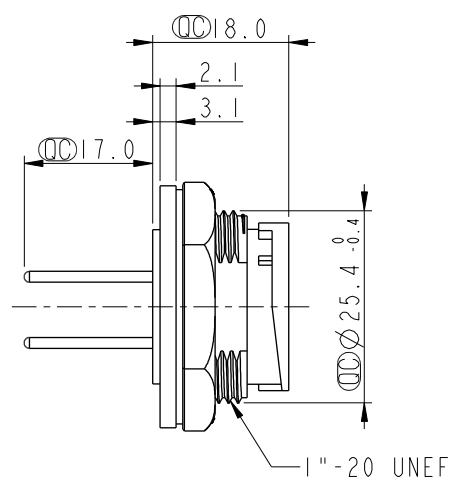
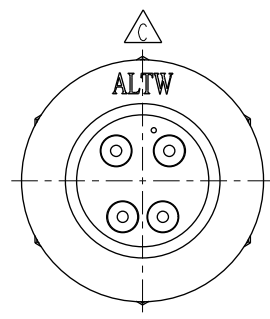
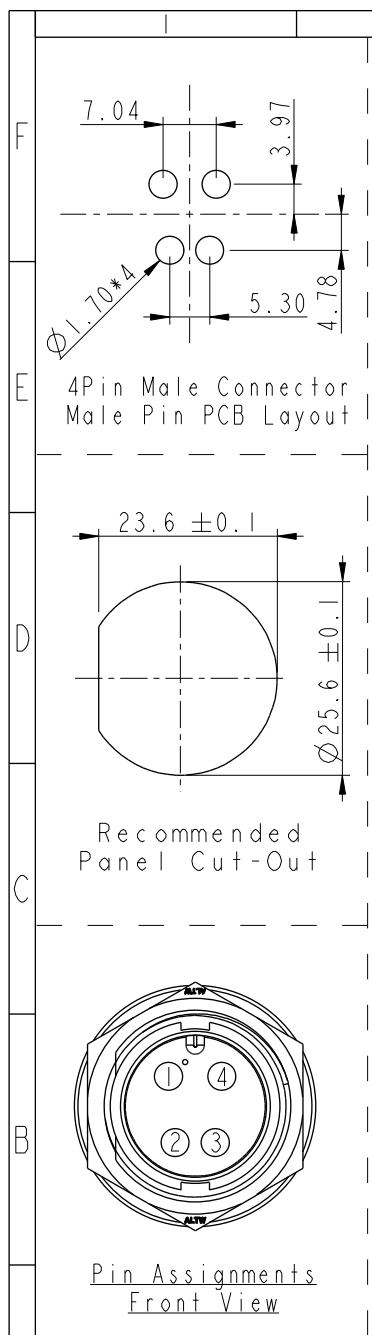
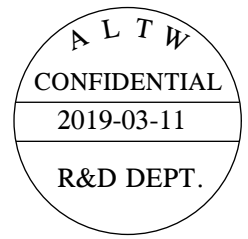


THIS DOCUMENT IS SUBJECT TO CHANGE WITHOUT NOTICE. IT IS CONFIDENTIAL AND A PROPERTY OF AMPHENOL LTW. DISCLOSURE TO THIRD PARTY HAS TO BE AUTHORIZED BY AMPHENOL LTW.

REV.	ECN NO.	DATE	SIGN	DESCRIPTION
B	LEN-8A0185	2008/09/15	Shin	Add Notes
C	LEN1740941	2017/04/10	Vicky	Update Logo
D	CI90310	2019/03/11	Ruru	Modify Note



With Liquid Glue

Connector (1) Nut (2) Gasket (3)

- Note:
- \* Important Dimension.
  - \* Waterproof Rate: IP67, Unmated
  - \* Housing: Thermoplastic, Black
  - \* Pin: Copper Alloy, Gold Plated
  - \* Nut: Thermoplastic, Black
  - \* Gasket: Rubber, Black
  - \* Use Waterproof Cap or Dust Cap  
Panel Thickness Max: 3.0mm
  - \* Use without Waterproof Cap or Dust Cap  
Panel Thickness Max: 4.0mm
  - \* Gasket and Nut are packed separately in PE bags.

A	UNIT:mm	TITLE Lock Type Connector For Panel Mount 4Pin Male Connector Male Pin(20A)			Amphenol LTW 安費諾亮泰企業股份有限公司		ITEM NO DC-04PMMP-LC7001	DRAWN BY Ruru	DATE 2019-03-11
	TOLERANCE .X ±0.25 .XX ±0.1 .XXX ±0.05 ANGLES ±1°	SCALE 1:1	SIZE A4	SHEET 1 OF 1			DWG NO DC-04PMMP-LC7001	CHECKED BY Rita	DATE 2019-03-11
	REV. D		WC-REV. A.3	Inspection item	CUSTOMER ALTW	APPROVED BY Max	DATE 2019-03-11		