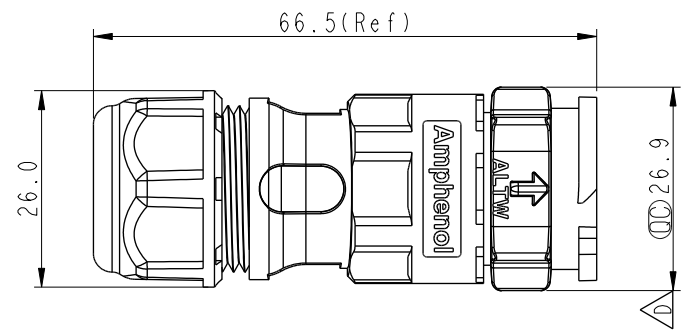
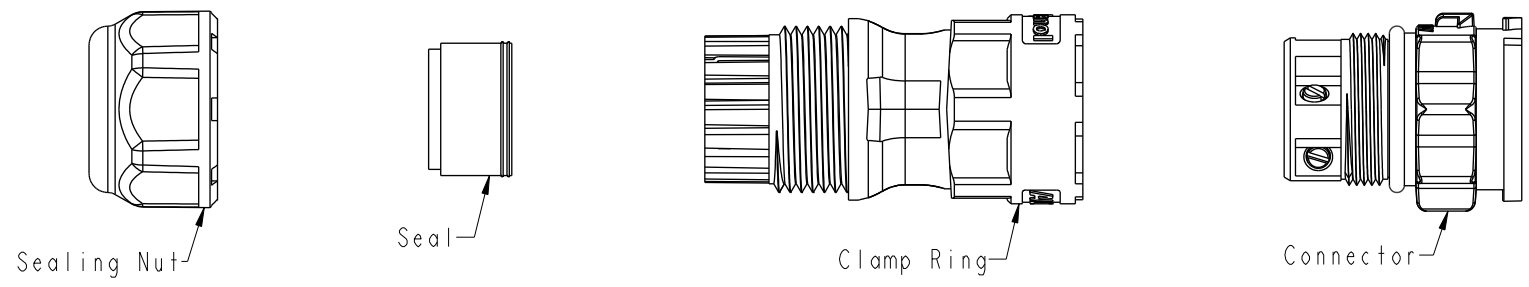


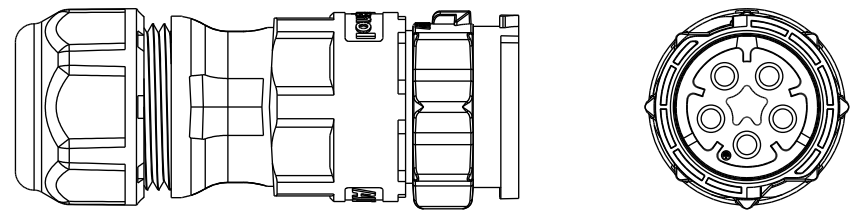
THIS DOCUMENT IS SUBJECT TO CHANGE WITHOUT NOTICE. IT IS CONFIDENTIAL AND A PROPERTY OF Amphenol LTW. DISCLOSURE TO THIRD PARTY HAS TO BE AUTHORIZED BY Amphenol LTW.

REV.	ECN NO.	DATE	SIGN	DESCRIPTION
D	E191814	2019/10/24	Ruru	$\triangle D$ X3
E	C210786	2021/06/06	Angel Chou	$\triangle E$ X5
F	C220464	2022/04/07	Ruru	$\triangle F$ X4



DC-XXBMFB-QL8XPP
 $\triangle B$ $\triangle F$
 XX: No. Of Pin

- S: With Red Color Seal 1, Cable OD 8.0~10.0mm.
- M: With Yellow Color Seal 2, Cable OD 10.0~12.0mm.
- L: With Blue Color Seal 3, Cable OD 12.0~14.0mm.
- A: With Seal 1 & Seal 2 & Seal 3.



Pin Assignments Front View	$\triangle E$	$\triangle E$	$\triangle E$	$\triangle E$
	 2 Pin	 3 Pin	 4 Pin	 5 Pin

Note: $\triangle D$ $\triangle E$ $\triangle F$

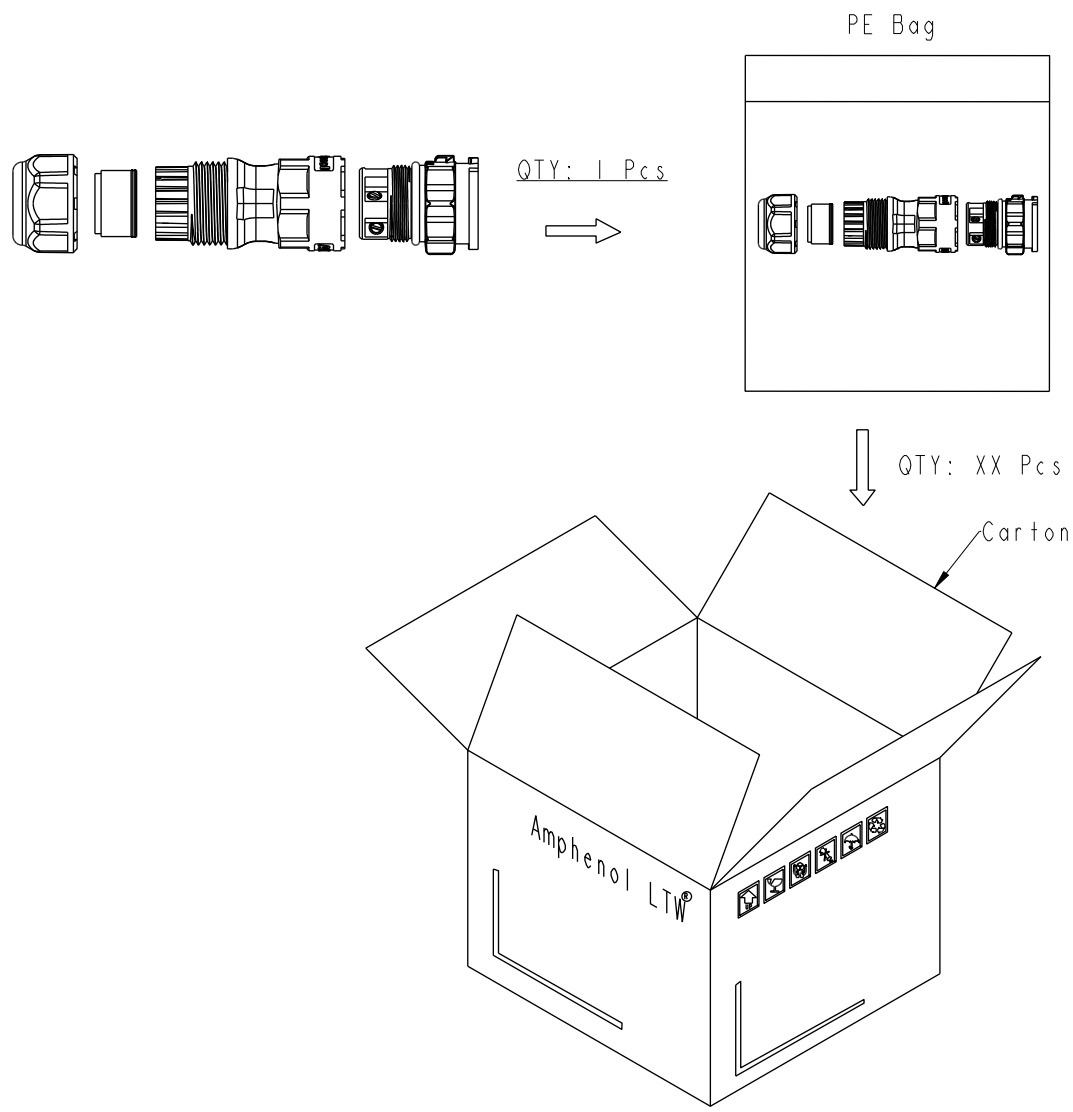
- * RoHS Compliant
- * \varnothing Important dimension
- * Waterproof rate: IPX8, mated 1m/24h
- * Connector
- Housing: Thermoplastic, Black
- Pin: Copper Alloy, Silver Plated
- O-Ring: Rubber, Dark Gray
- * Clamp Ring: Thermoplastic, Black
- * Sealing Nut: Thermoplastic, Black
- * Seals: Rubber

UNIT:mm	\varnothing	TITLE	XLOK, D-20A, CABLE W/O SR M, F, FI SCREW IN, PUSH LOCK		ITEM NO	DC-XXBMFB-QL8XPP	DRAWN BY	Siou	DATE	2019-08-02	
TOLERANCE	± 0.5 mm	SCALE	8:5	SIZE	A4	DWG NO	DC-XXBMFB-QL8XPP	CHECKED BY	Eagle	DATE	2019-08-02
		REV.	F	WC-REV.	A.3	CUSTOMER	ALTW	APPROVED BY	Neo	DATE	2019-08-02
											W10814-03-001A2

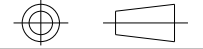
Amphenol LTW
 安費諾亮泰企業股份有限公司

\varnothing : Inspection item

THIS DOCUMENT IS SUBJECT TO CHANGE WITHOUT NOTICE. IT IS CONFIDENTIAL AND A PROPERTY OF Amphenol LTW. DISCLOSURE TO THIRD PARTY HAS TO BE AUTHORIZED BY Amphenol LTW.



Note:
 * One Set Unassembled In One PE Bag.
 (每一組未組裝，放置於一個PE袋，並封口，如圖示)
 * Label is Attached To PE Bag Front.
 (標籤貼在PE袋正面)

UNIT:mm 
 TOLERANCE
 ±0.5 mm

TITLE XLOK, D-20A, CABLE W/O SR M, F, FI SCREW IN, PUSH LOCK			
SCALE 8:5	SIZE A4	SHEET 2 OF 2	
REV. F	WC-REV. A.3	QC: Inspection item	

Amphenol LTW
 安費諾亮泰企業股份有限公司

ITEM NO	DRAWN BY Siou	DATE 2019-08-02
DWG NO DC-XXBMFB-QL8XPP	CHECKED BY Eagle	DATE 2019-08-02
CUSTOMER ALTW	APPROVED BY Neo	DATE 2019-08-02