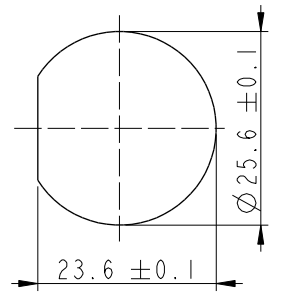


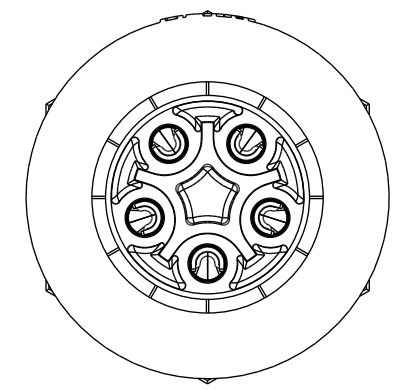
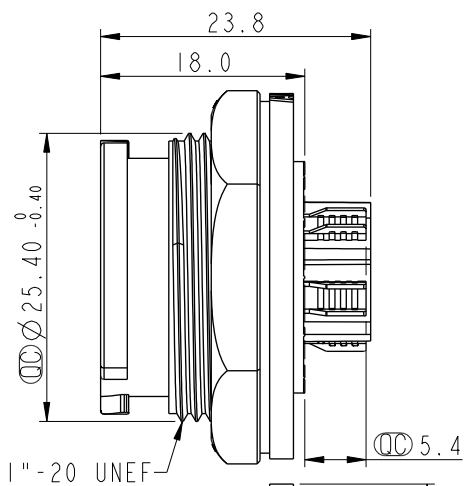
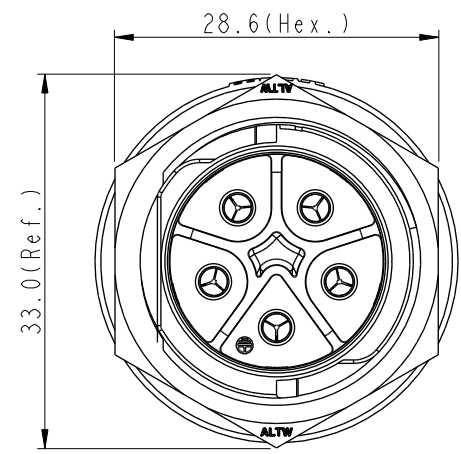
THIS DOCUMENT IS SUBJECT TO CHANGE WITHOUT NOTICE. IT IS CONFIDENTIAL AND A PROPERTY OF AMPHENOL LTW. DISCLOSURE TO THIRD PARTY HAS TO BE AUTHORIZED BY AMPHENOL LTW.

REV.	ECN NO.	DATE	SIGN	DESCRIPTION
A	Initial Release	2016/05/18	Wes	Change Rev.01 To Rev.A
B	C190403	2019/03/12	Vicky	Change Note
C	C220628	2022/05/11	Vicky	$\triangle C$ X4

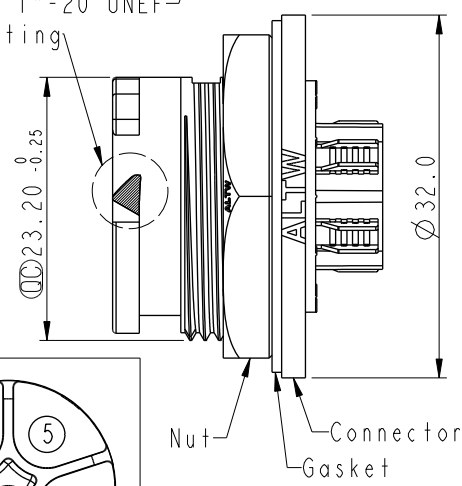


Recommended Panel Cut-Out

$\triangle C$ DC-XXPMS-QC800P
XX: No. Of Pin

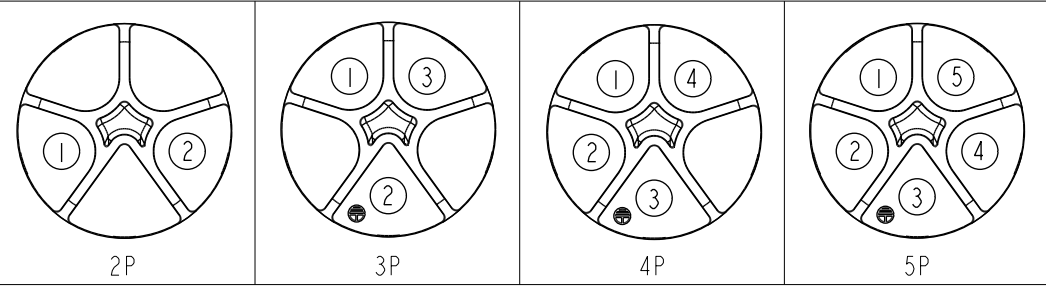


\odot White Printing



Note:

- * RoHS Compliant
- * \odot Important dimension
- * Waterproof rate: IPX8, unmated 1m/24h
- * Connector
 - Housing: Thermoplastic, Black
 - Pin: Copper Alloy, Gold plated
- * Nut: Thermoplastic, Black
- * Gasket: Rubber, Gray
- * Use with waterproof cap or dust cap
Panel thickness max: 2.6mm
- * Use without waterproof cap or dust cap
Panel thickness max: 3.6mm
- * Gasket and nut are packed separately in pe bag



Pin Assignments Front View

UNIT: mm			TITLE XLOK, D-20A, FRONT FASTENED M, M, SOLDER, PUSH LOCK
TOLERANCE .X ±0.25 .XX ±0.1 .XXX ±0.05 ANGLES ±1°	SCALE 3:2	SIZE A4	SHEET 1 OF 1
REV. C	WC-REV. A.2	\odot Inspection item	

Amphenol LTW
安費諾亮泰企業股份有限公司

ITEM NO.	DRAWN BY Vicky	DATE 2019-03-12
DWG NO. $\triangle C$ DC-XXPMS-QC800P	CHECKED BY Rita	DATE 2019-03-12
CUSTOMER ALTW	APPROVED BY Max	DATE 2019-03-12