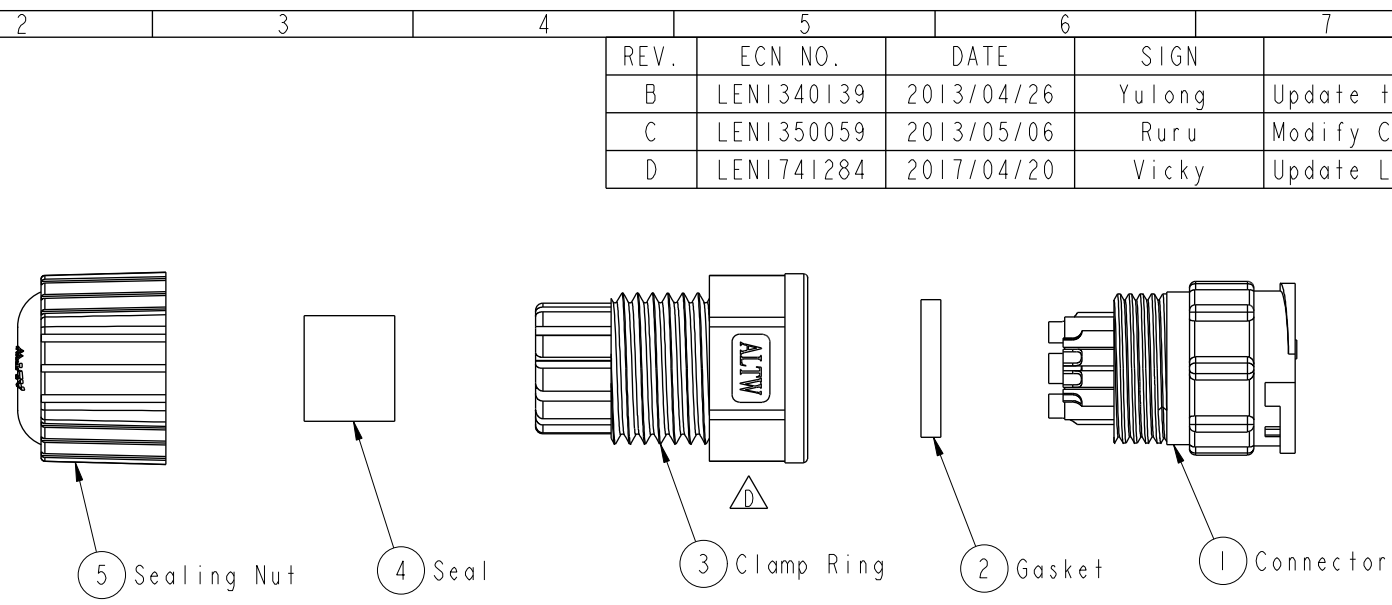


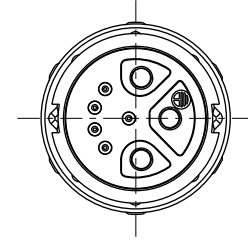
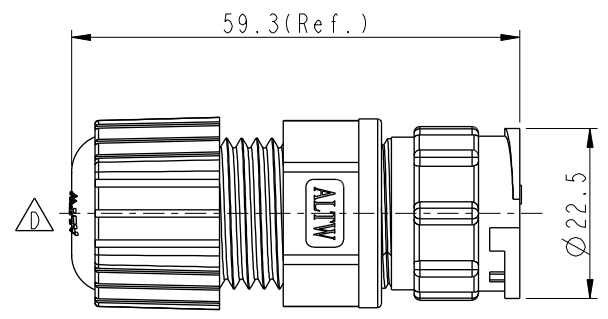
THIS DOCUMENT IS SUBJECT TO CHANGE WITHOUT NOTICE. IT IS CONFIDENTIAL AND A PROPERTY OF Amphenol LTW. DISCLOSURE TO THIRD PARTY HAS TO BE AUTHORIZED BY Amphenol LTW.

REV.	ECN NO.	DATE	SIGN	DESCRIPTION
B	LEN1340139	2013/04/26	Yulong	Update the Note
C	LEN1350059	2013/05/06	Ruru	Modify Cable OD Max
D	LEN1741284	2017/04/20	Vicky	Update Logo

F
E
D
C
B
A



Conn.
Pin Assignments
Front View



Note:

- * \varnothing Important Dimension
- * Waterproof Rate: IP67
- * Connector: Nylon+GF, Black
- * Pin: Copper Alloy, Gold Plated
- $\triangle B$ * Gasket: Silicone, Black
- * Clamp Ring: Nylon, Black
- * Seals: Silicone, Gray
- * Sealing Nut: Nylon, Black
- $\triangle C$ * Cable OD Max: $\varnothing 9.5$ - $\varnothing 10.8$ mm

UNIT:mm		
TOLERANCE		
.X	± 0.25	
.XX	± 0.1	
.XXX	± 0.05	
ANGLES	$\pm 1^\circ$	

TITLE Large Assy Connector M Conn 3FPin(20A)+5MPin(2A)			
SCALE 1:1	SIZE A4	SHEET 1 OF 1	
REV. D	WC-REV. C.2	\varnothing : Inspection item	

Amphenol LTW
安費諾亮泰企業股份有限公司

ITEM NO DCU-08BMDA-LL7001	DRAWN BY Vicky	DATE 2017-04-20
DWG NO DCU-08BMDA-LL7001	CHECKED BY Rita	DATE 2017-04-20
CUSTOMER ALTW	APPROVED BY Max	DATE 2017-04-20