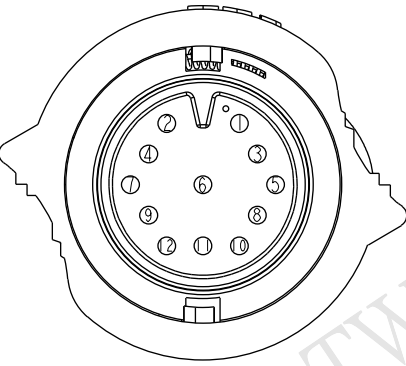
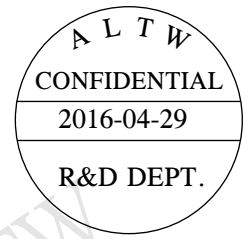
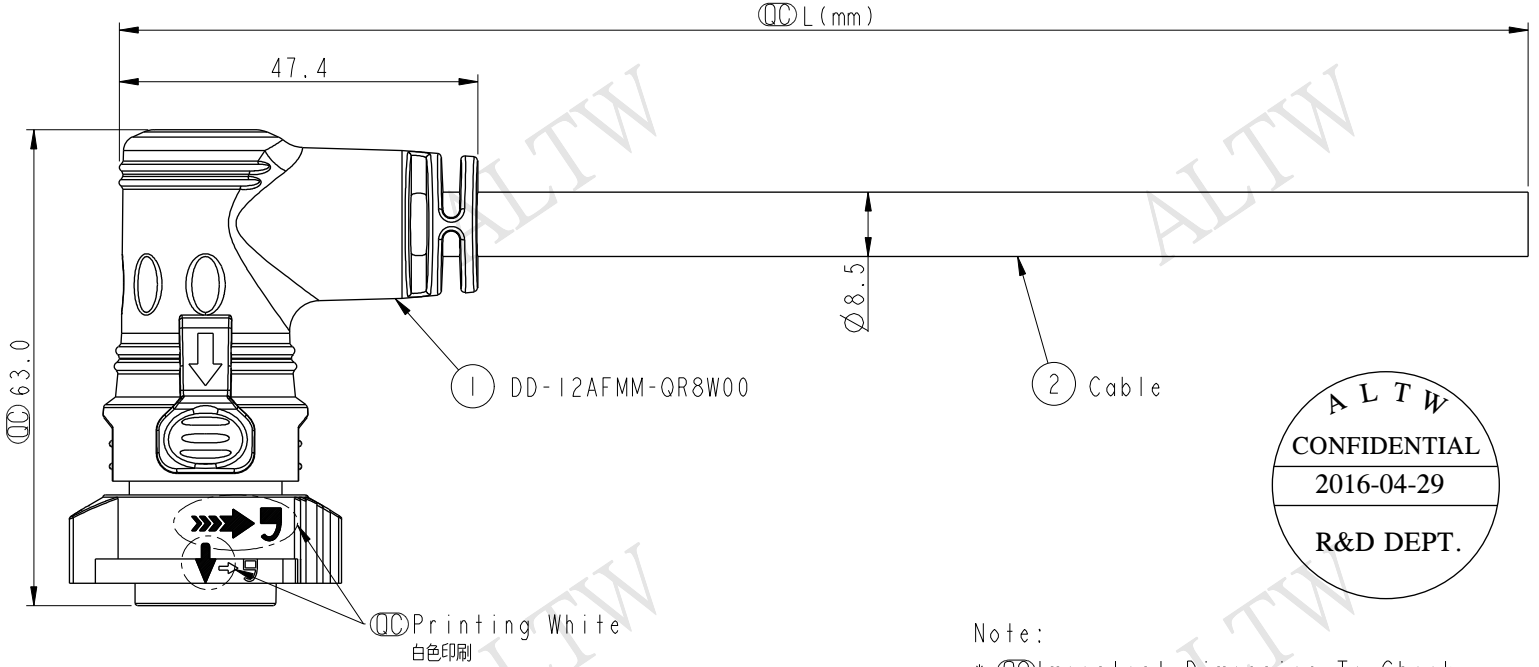


REV.	ECN NO.	DATE	SIGN	DESCRIPTION



Pin Assignments
Front View

12	Light Green	淡綠
11	Pink	粉紅
10	White	白
9	Gray	灰
8	Purple	紫
7	Blue	藍
6	Green	綠
5	Yellow	黃
4	Orange	橙
3	Red	紅
2	Brown	棕
1	Black	黑
Conn.	Wire Color	

Pin Out

DD-12AFMM-QR8DXX

XX :01~99Meters
 01 :01Meter
 02 :02Meters
 :
 :
 :
 99 :99Meters

Cable Length(L):01~99Meters

- Note:
- * \varnothing Important Dimension To Check.
 - * Working Voltage Rating: AC 300 V
 - * Working Current Rating: 5A
 - * Flame Class: UL94V-0 (UV Resistance)
 - * Waterproof Rate: IP68(Mated)
In 1 meter water within 24 hours
 - * Housing: Nylon+GF,Black
 - * Female Pin: Copper Alloy, Gold Plated
 - * Cable: UL21388 20AWG*12C+AL.Mylar Black, PVC Jacket UV Resistant, OD=8.5
 - * Cable Length Tolerance:01M:±40mm
 02M~05M:±60mm
 06M~10M:±100mm
 11M~30M:±200mm
 31M~99M:±500mm

UNIT:mm

TOLERANCE ±0.5

TITLE X-Lok D Size Cable Molding 12Pin F Connector M Pin(05A)			
SCALE 1:1	SIZE A4	SHEET 1 OF 1	
REV. A	WC-REV. A.1	\varnothing : Inspection item	

Amphenol LTW
安費諾亮泰企業股份有限公司

ITEM NO	DRAWN BY Wes Fan	DATE 2016-04-29
DWG NO DD-12AFMM-QR8DXX	CHECKED BY Spring Liu	DATE 2016-04-29
CUSTOMER ALTW	APPROVED BY Kevin Hu	DATE 2016-04-29

THIS DOCUMENT IS SUBJECT TO CHANGE WITHOUT NOTICE. IT IS CONFIDENTIAL AND A PROPERTY OF Amphenol LTW. DISCLOSURE TO THIRD PARTY HAS TO BE AUTHORIZED BY Amphenol LTW.