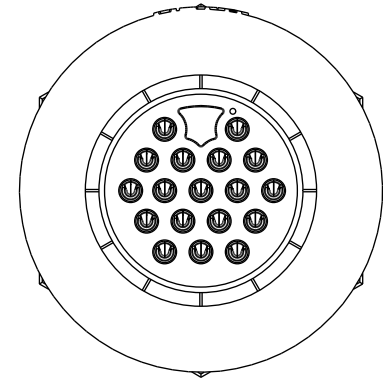
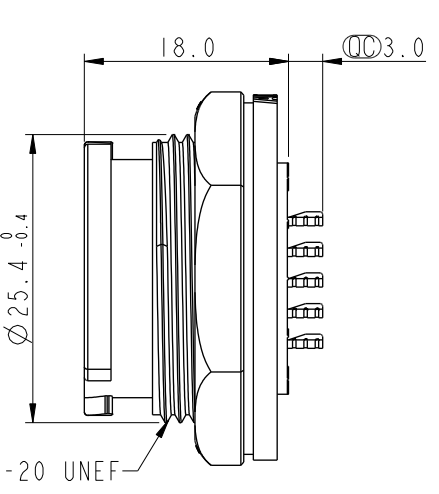
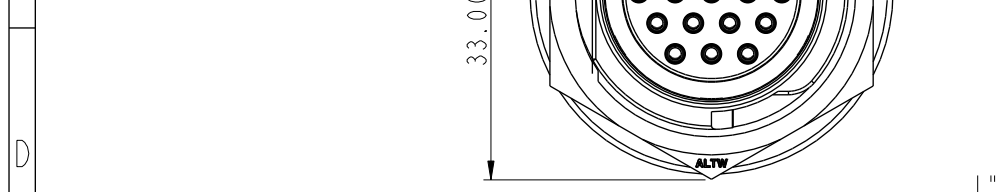
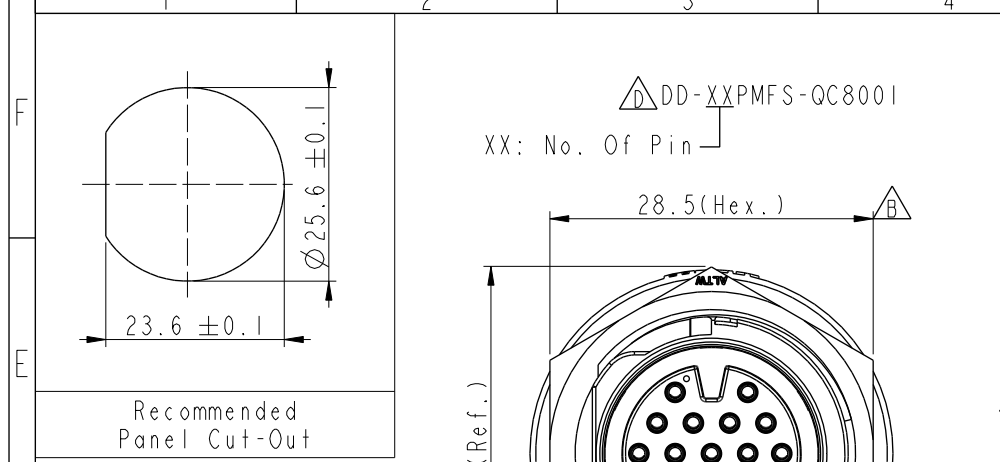
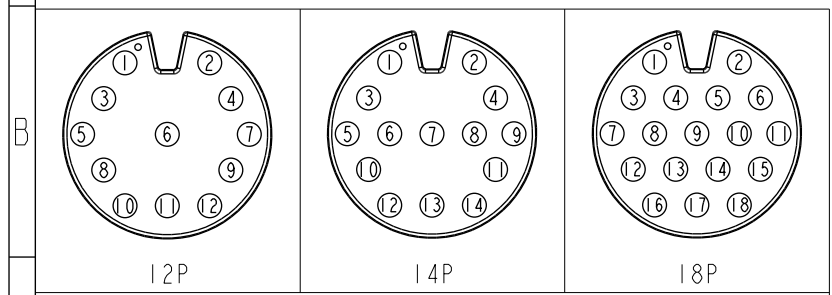


THIS DOCUMENT IS SUBJECT TO CHANGE WITHOUT NOTICE. IT IS CONFIDENTIAL AND A PROPERTY OF Amphenol LTW. DISCLOSURE TO THIRD PARTY HAS TO BE AUTHORIZED BY Amphenol LTW.

REV.	ECN NO.	DATE	SIGN	DESCRIPTION
B	LEN1660018	2016/05/27	Vicky	Update Nut Dime
C	C190403	2019/03/13	Vicky	Change Note
D	C220628	2022/05/12	Vicky	$\triangle D$ X4



- Note:
- * RoHS Compliant
 - * \circledast Important dimension
 - * Waterproof rate: IPX8, unmated 1m/24h
 - * Connector
 - Housing: Thermoplastic, Black
 - Pin: Copper Alloy, Gold plated
 - * Nut: Thermoplastic, Black
 - * Gasket: Rubber, Gray
 - * Use with waterproof cap or dust cap
 - Panel thickness max: 2.6mm
 - * Use without waterproof cap or dust cap
 - Panel thickness max: 3.6mm
 - * Gasket and nut are packed separately in pe bag



UNIT: mm		TITLE XLOK, D-5A, FRONT FASTENED M, F, SOLDER, PUSH LOCK $\triangle D$
TOLERANCE .X ±0.25 .XX ±0.1 .XXX ±0.05 ANGLES ±1°	SCALE 3:2	SIZE A4
	REV. D	SHEET 1 OF 1
	WC-REV. A.3	\circledast Inspection item

Amphenol LTW
安費諾亮泰企業股份有限公司

ITEM NO.	DRAWN BY Vicky	DATE 2019-03-13
DWG NO. $\triangle D$ DD-XXPMFS-QC8001	CHECKED BY Rita	DATE 2019-03-13
CUSTOMER ALTW	APPROVED BY Max	DATE 2019-03-13