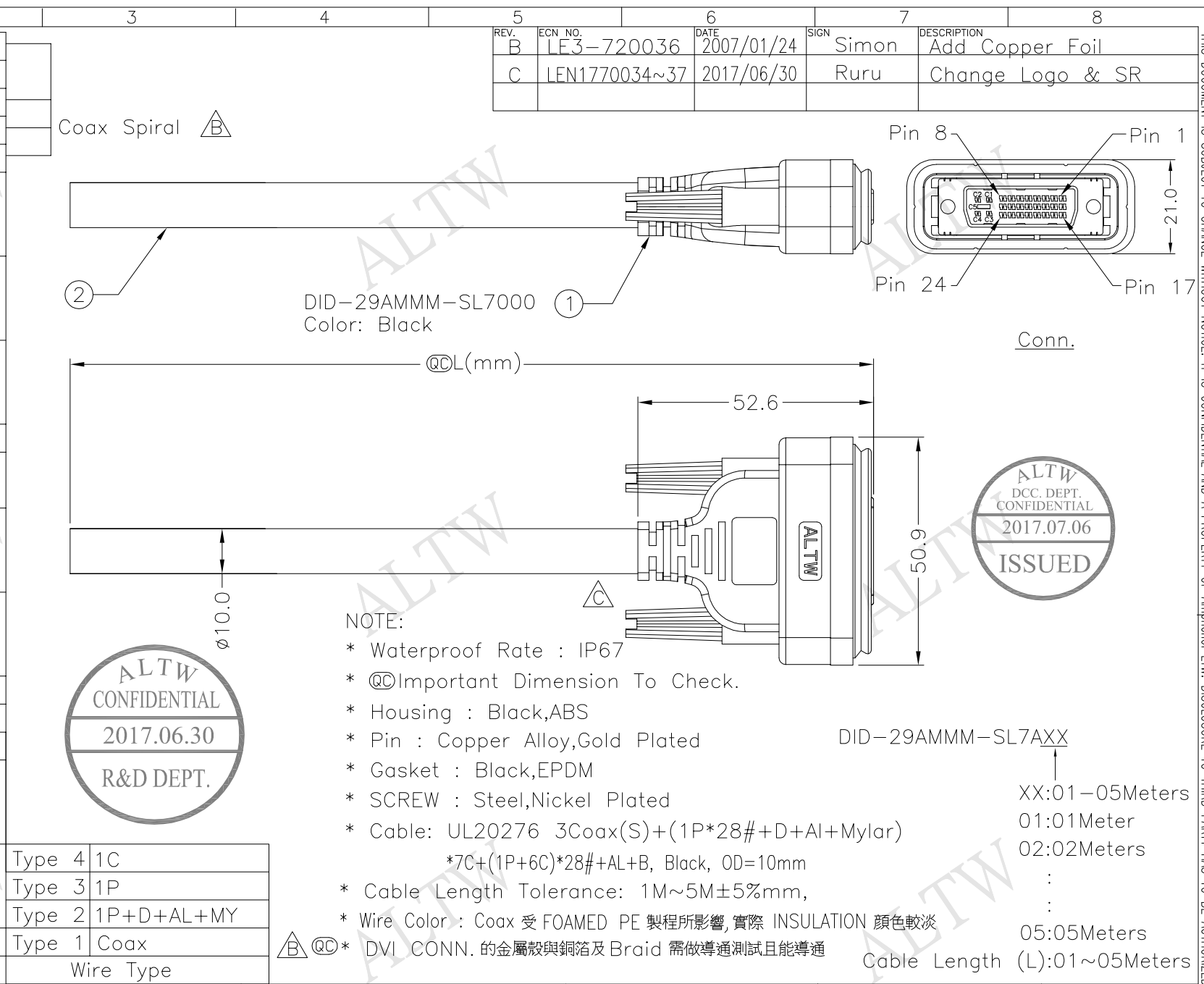


	1	2	3	4	5	6	7	8
F	C5	Pink	4					
	C4	White	4					
	C3	Blue	1					
	C2	Green	1					
	C1	Red	1					
E	24	White						
	23	Yellow	2					
	22	Drain						
	21	Orange						
	20	White	2					
D	19	Drain						
	18	Black	2					
	17	White						
	16	Green	4					
	15	Orange						
C	14	Yellow	3					
	13	Blue						
	12	White	2					
	11	Drain						
	10	Green	2					
B	9	White						
	8	Red	4					
	7	Brown	4					
	6	Black	4					
	5	Red						
A	4	White	2					
	3	Drain						
	2	Brown	2					
1	White							
Conn.	Wire Color	Wire Type	Type 1	Coax				
	Pin Out		Type 2	1P+D+AL+MY				
			Type 3	1P				
			Type 4	1C				



NOTE:

- * Waterproof Rate : IP67
- * @Q Important Dimension To Check.
- * Housing : Black,ABS
- * Pin : Copper Alloy,Gold Plated
- * Gasket : Black,EPDM
- * SCREW : Steel,Nickel Plated
- * Cable: UL20276 3Coax(S)+(1P*28#+D+Al+Mylar)*7C+(1P+6C)*28#+AL+B, Black, OD=10mm
- * Cable Length Tolerance: 1M~5M±5%mm,
- * Wire Color : Coax 受 FOAMED PE 製程所影響,實際 INSULATION 顏色較淡
- * DVI CONN. 的金屬殼與銅箔及 Braid 需做導通測試且能導通

DID-29AMMM-SL7AXX

XX:01-05Meters
01:01Meter
02:02Meters
:
:
05:05Meters

Cable Length (L):01~05Meters

UNIT:mm		TITLE	DID 24+5 M Pin M Conn 180		ITEM NO	DRAWN BY	DATE
TOLERANCE	± 0.5 mm	SCALE	Free	SHEET 1 OF 1	DWG NO	CHECKED BY	DATE
REV.	C	SIZE	A4	@Q :Inspection Item	CUSTOMER	APPROVED BY	DATE
1	2	3	4	5	6	7	8

Amphenol LTW
安費諾亮泰企業股份有限公司

AltW DCC. DEPT. CONFIDENTIAL 2017.07.06 ISSUED

AltW CONFIDENTIAL 2017.06.30 R&D DEPT.

FMW0702-01-01A2

THIS DOCUMENT IS SUBJECT TO CHANGE WITHOUT NOTICE. IT IS CONFIDENTIAL AND A PROPERTY OF Amphenol LTW. DISCLOSURE TO THIRD PARTY HAS TO BE AUTHORIZED BY Amphenol LTW.