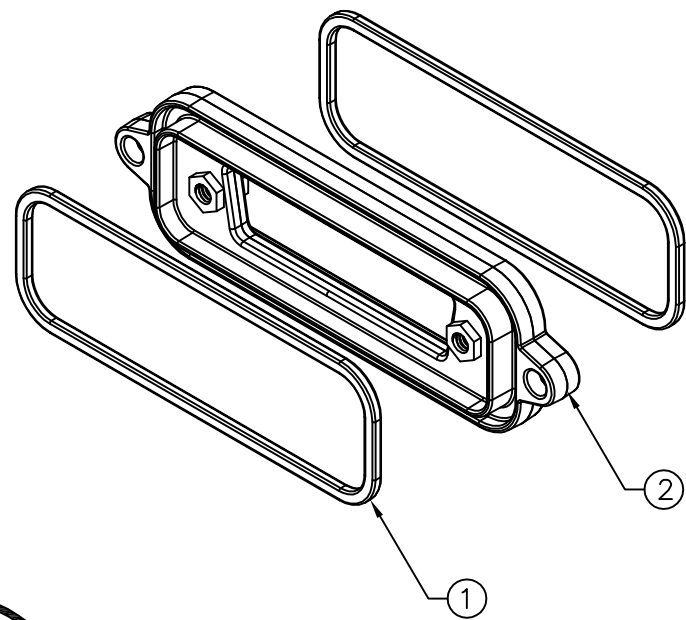
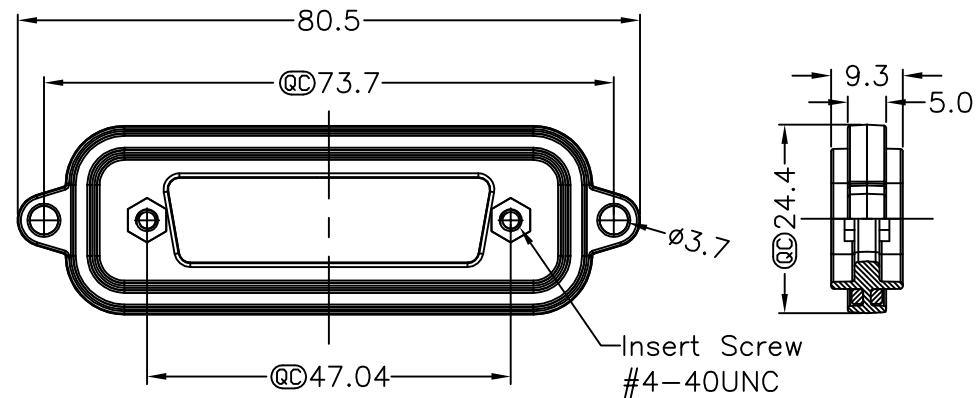


5	6	7	8
REV.	ECN NO.	DATE	SIGN

THIS DOCUMENT IS SUBJECT TO CHANGE WITHOUT NOTICE. IT IS CONFIDENTIAL AND A PROPERTY OF Amphenol LTW. DISCLOSURE TO THIRD PARTY HAS TO BE AUTHORIZED BY Amphenol LTW.

**ALTW**  
 DCC. DEPT.  
 CONFIDENTIAL  
 2007.01.25  
 ISSUED



**ALTW**  
 CONFIDENTIAL  
 2007.01.24  
 R&D DEPT.

- Note:
- \*  $\text{QC}$  Important Dimension To Check.
  - \* DJ3 Joint: Black, Nylon+GF
  - \* Gasket: Black, EPDM
  - \* Insert Screw: Copper Alloy, Ni Plated
  - \* Waterproof Rate: IP67

UNIT:mm		TITLE DJ3-joining Assembly		<b>Amphenol LTW</b> 安費諾亮泰企業股份有限公司		ITEM NO DJ3-00JNNA-SL7001		DRAWN BY Jerry		DATE 2007/01/24	
TOLERANCE .X ±0.25 .XX ±0.1 .XXX ±0.05 ANGLES ±1'		SCALE Free				SHEET 1 OF 1		DWG NO DJ3-00JNNA-SL7001		CHECKED BY Simon	
		REV. A		SIZE A4		$\text{QC}$ : Inspection Item		CUSTOMER ALTW		APPROVED BY Max	
										DATE 2007/01/24	