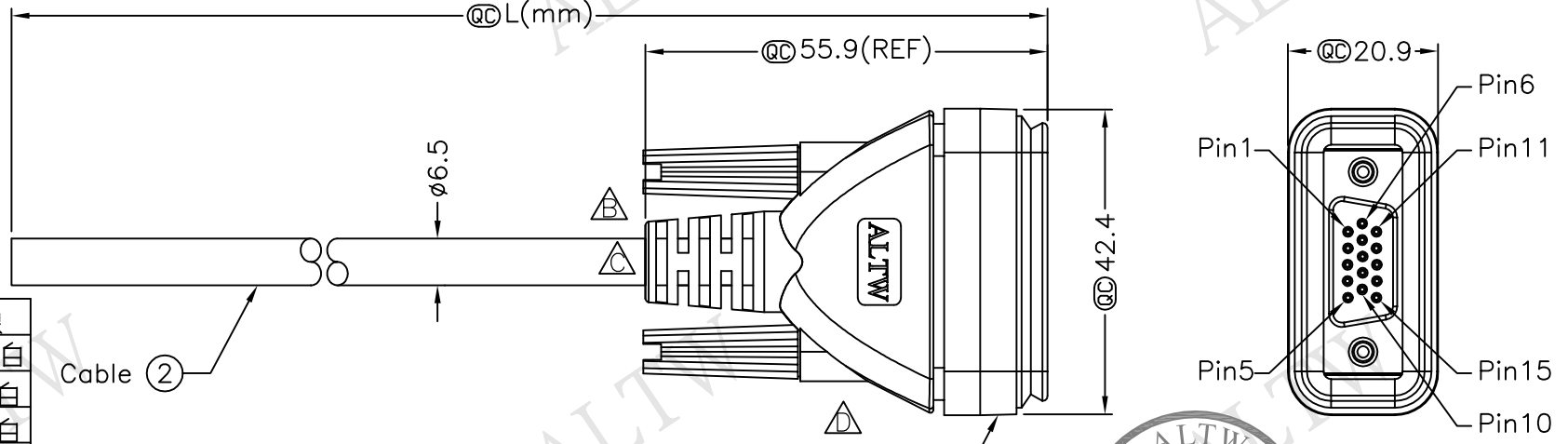


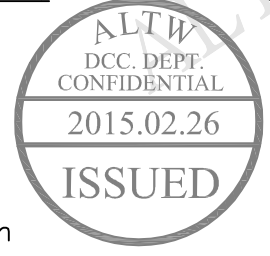
REV.	ECN NO.	DATE	SIGN	DESCRIPTION
B	LEN-790038	08/31/2007	Rommel A. Vergara	Change Orientation of Strain Relief
C	LEN-920108~11	2009/01/12	Li Xiu Zhi	Change SR
D	LEN1520285~88	2015/02/10	Ruru	Change Logo

THIS DOCUMENT IS SUBJECT TO CHANGE WITHOUT NOTICE. IT IS CONFIDENTIAL AND A PROPERTY OF AMPHENOL LTW. DISCLOSURE TO THIRD PARTY HAS TO BE AUTHORIZED BY AMPHENOL LTW.



Shield	Drain	地線
15	Red/White	紅/白
14	Brown/White	棕/白
13	Black/White	黑/白
12	Light Green	淺綠
11	Purple	紫
10	Orange	橘
9	Black	黑
8	Red	紅
7	Pink	粉紅
6	Gray	灰
5	Yellow	黃
4	Green	綠
3	White	白
2	Blue	藍
1	Brown	棕
Pin	Wire Color	
Pin Out		

HDB-15AFFM-SL7AXX
 Color: Black
 Note:
 * @C Important Dimension
 * Waterproof Rate: IP67
 * Connector: HD-Sub 15 Pin, Female
 * Cable: UL2464 26AWG*15C+Drain+AL/My, PVC Jacket(UV Resistant)OD=6.5mm, Black
 * Cable Length Tolerance: 01M:40mm
 02M~05M:60mm
 06M~10M:100mm
 11M~30M:200mm
 31M~99M:500mm



UNIT:mm	TITLE HD-SUB Conn	ITEM NO	DRAWN BY Ruru	DATE 2015/02/10
TOLERANCE ±0.5 mm	Cable Screw HD15P F Conn F Pin	DWG NO HDB-15AFFM-SL7AXX	CHECKED BY Rita	DATE 2015/02/10
SCALE Free	SHEET 1 OF 1	CUSTOMER ALTW	APPROVED BY Lion	DATE 2015/02/10
REV. D	SIZE A4	@C :Inspection Item		

Amphenol LTW
 安費諾亮泰企業股份有限公司