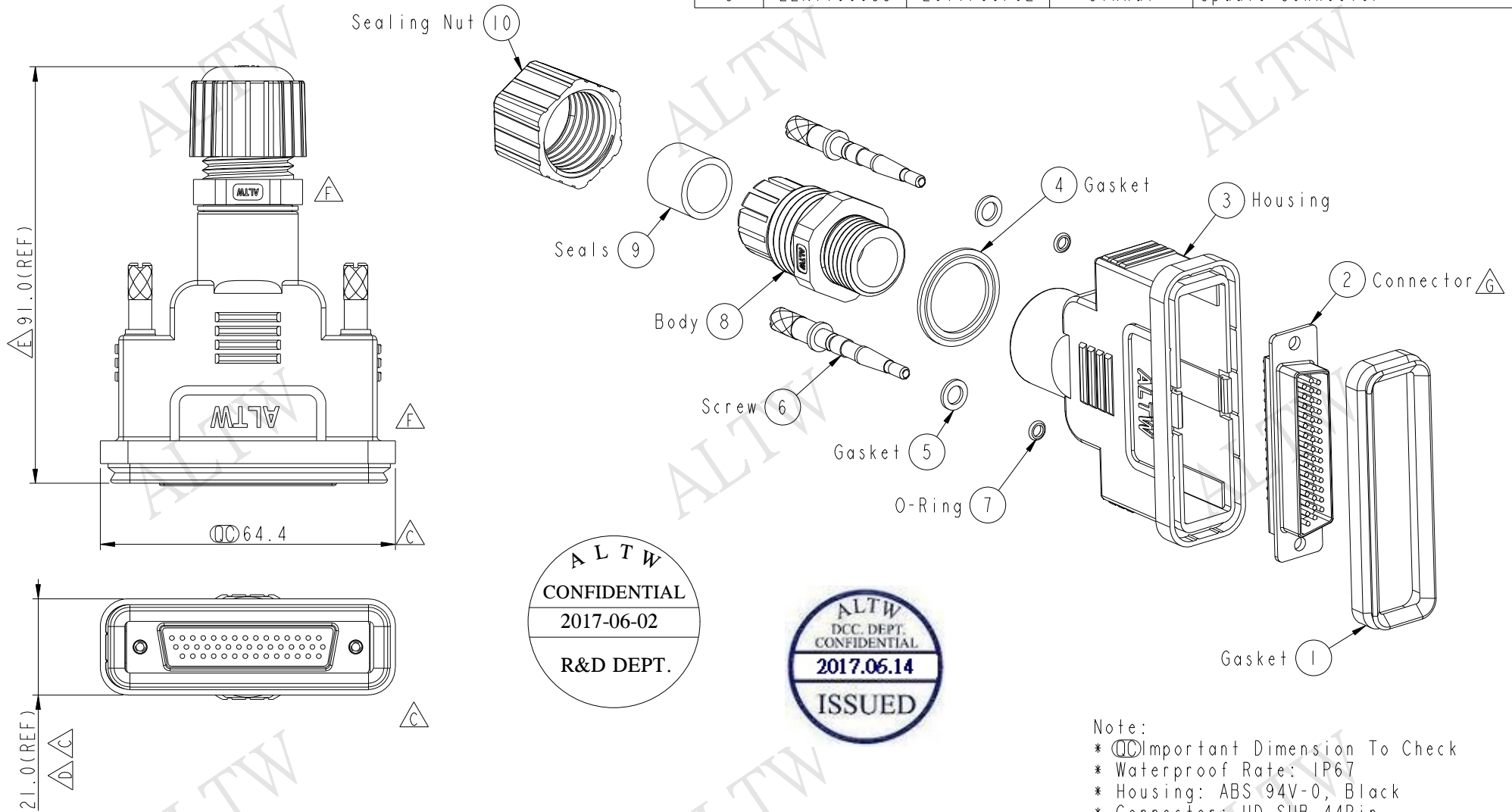


REV.	ECN NO.	DATE	SIGN	DESCRIPTION
E	LEN1390034	2013/05/14	Lu Di	Update Dimensions
F	LEN1560183	2015/04/08	Ruru	Change Logo
G	LEN1760058	2017/06/02	Jinhai	Update Connector



ALTW  
CONFIDENTIAL  
2017-06-02  
R&D DEPT.

ALTW  
DCC. DEPT.  
CONFIDENTIAL  
2017.06.14  
ISSUED

Note:  
 \* (Ø) Important Dimension To Check  
 \* Waterproof Rate: IP67  
 \* Housing: ABS 94V-0, Black  
 \* Connector: HD-SUB 44Pin  
 \* Seals For Cable OD: Ø6.0mm-Ø10.0mm  
 \* One Set Unassembled in One PE Bag

UNIT: mm	 	TITLE HD-SUB 44Pin Assembly Type			ITEM NO HDB-44BMMA-SL7001	DRAWN BY Jinhai	DATE 2017-06-02
		TOLERANCE .X ±0.25 .XX ±0.1 .XXX ±0.05 ANGLES ±1°	SCALE 1:5	SIZE A4	SHEET 1 OF 1	DWG NO HDB-44BMMA-SL7001	CHECKED BY Feng-Li
		REV. G	WC-REV. A.4	QC: Inspection item	CUSTOMER ALTW	APPROVED BY Jerry	DATE 2017-06-02

**Amphenol LTW**  
安費諾亮泰企業股份有限公司

THIS DOCUMENT IS SUBJECT TO CHANGE WITHOUT NOTICE. IT IS CONFIDENTIAL AND A PROPERTY OF AMPHENOL LTW. DISCLOSURE TO THIRD PARTY HAS TO BE AUTHORIZED BY AMPHENOL LTW.