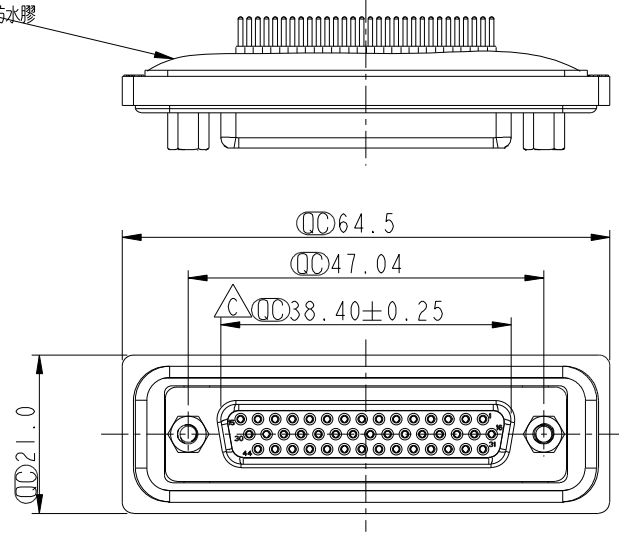
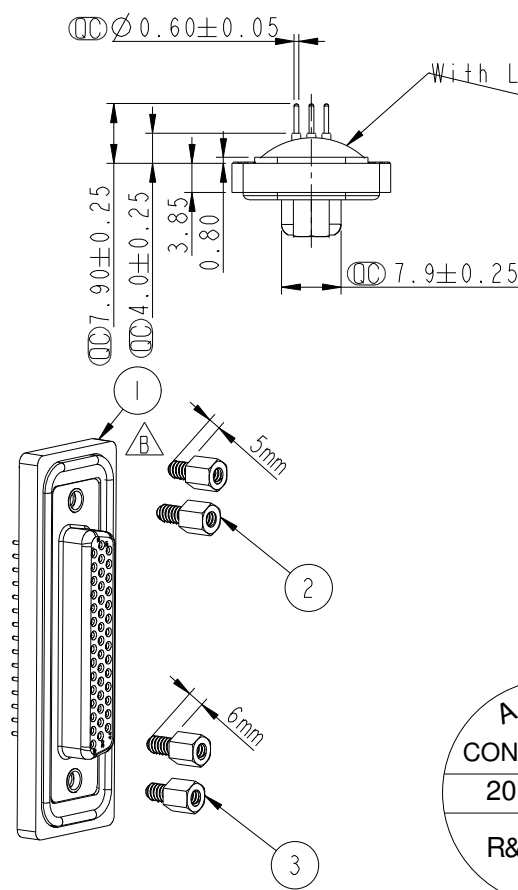


REV.	ECN NO.	DATE	SIGN	DESCRIPTION
B	LE3-710140	2006/12/11	DongYaLi	Change DOR0046S170 To DOR00010016 And Move DOR00010016 To ZSE00100594
C	LEN1390035	2013-05-14	Lu Di	Update Dimensions



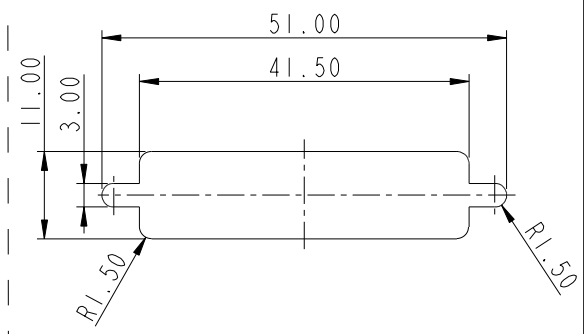
Screw L=5.0 For Panel Thickness Under 1.2mm
適用板厚為 1.2mm 以下

Screw L=6.0 For Panel Thickness Between 1.2~2.0mm
適用板厚為 1.2~2.0mm

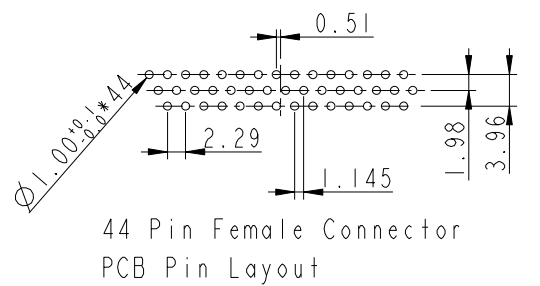
ALTW
CONFIDENTIAL
2013-05-14
R&D DEPT.

ALTW
DCC. DEPT.
CONFIDENTIAL
2013.09.05
ISSUED

- Note:
- * \varnothing Important Dimension.
 - * Waterproof Rate : IP68
IP68: 1M of depth of water 24 hours
(防水等級: IP68)
(1米水深24小時)
 - * Do Mating Test After Glued
點膠後, 須作對插測試
 - * HD-SUB Conn. : Black Core, PBT
 - * Plastic Jacket : Black, Nylon+GF
 - * Pin : Copper Alloy, Gold Plated
 - * Ring : Light Blue, Silicone
 - * Screw : Copper Alloy, Nickel Plated, #4-40 UNC



Recommended Panel Cut-Out
建議挖孔尺寸



UNIT: mm		
TOLERANCE	.X ±0.25	
	.XX ±0.1	
	.XXX ±0.05	
ANGLES	±1°	

TITLE D-SUB Conn. Panel Screw HD44P F Conn. F Pin			
SCALE 1:1	SIZE A4	SHEET 1 OF 1	
REV. C	WC-REV. A.3	\varnothing : Inspection item	

Amphenol LTW
安費諾亮泰企業股份有限公司

ITEM NO HDB-44PFFP-SL8001	DWG NO HDB-44PFFP-SL8001	CUSTOMER ALTW
------------------------------	-----------------------------	------------------

DRAWN BY Di_lu	CHECKED BY Mafei	APPROVED BY Vicotr
-------------------	---------------------	-----------------------

DATE 2013-05-14	DATE 2013-05-14	DATE 2013-05-14
--------------------	--------------------	--------------------

THIS DOCUMENT IS SUBJECT TO CHANGE WITHOUT NOTICE. IT IS CONFIDENTIAL AND A PROPERTY OF Amphenol LTW. DISCLOSURE TO THIRD PARTY HAS TO BE AUTHORIZED BY Amphenol LTW.