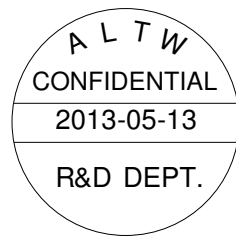
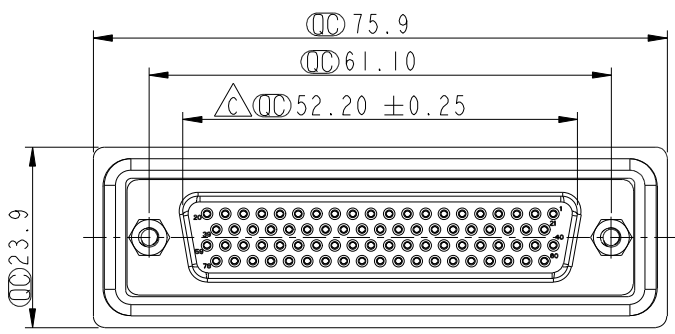
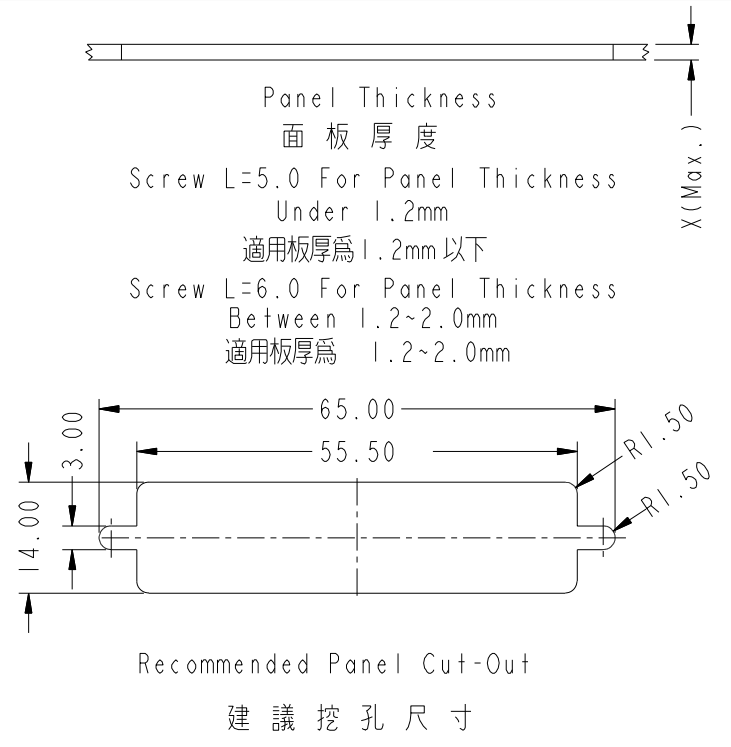
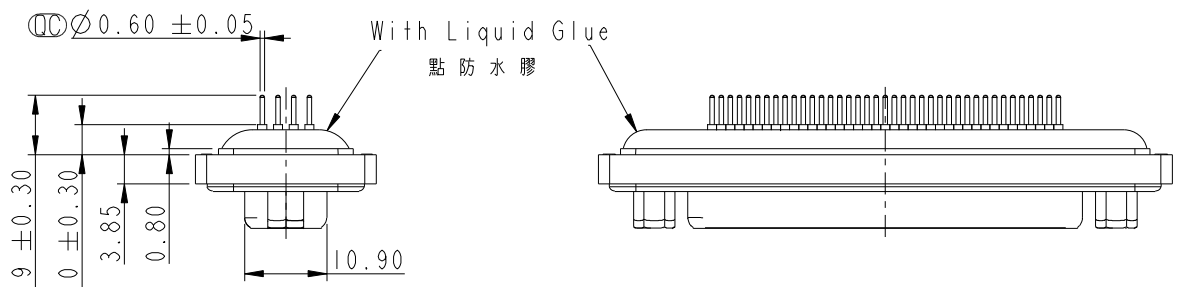
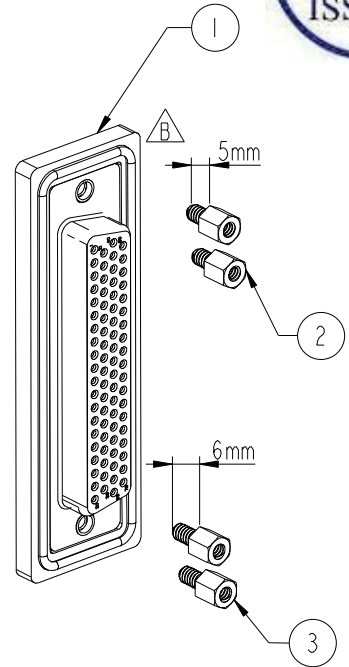
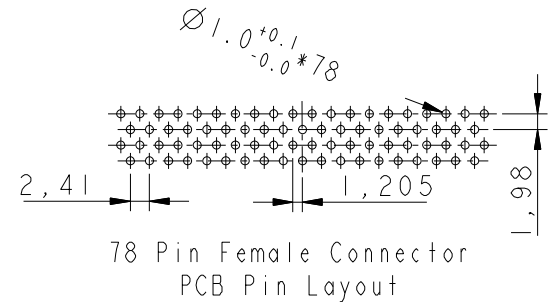


REV.	ECN NO.	DATE	SIGN	DESCRIPTION
B	LE3-710143	2006/12/15	Gao Ling	Move O-ring to ZSE00100829
C	LEN1390043	2013-05-13	Lu Di	Update Dimensions



- Note:
- * \varnothing Important Dimension.
 - * Waterproof Rate : IP67
 - * Do Mating Test After Glued
點膠後，須作對插測試
 - $\triangle B$ * HD-SUB Conn. : Black Core, PBT
 - $\triangle B$ * Plastic Jacket : Black, Nylon+GF
 - $\triangle B$ * Pin : Copper Alloy , Gold Plated
 - * Ring : Light Blue, Silicone
 - $\triangle B$ * Screw : Copper Alloy, Nickel Plated, #4-40 UNC



UNIT: mm	\varnothing	∇
TOLERANCE		
.X	±0.25	
.XX	±0.1	
.XXX	±0.05	
ANGLES	±1°	

TITLE D-SUB Conn. $\triangle B$ Panel Screw HD78P F Conn F Pin			
SCALE 1:1	SIZE A4	SHEET 1 OF 1	
REV. C	WC-REV. A.3	\varnothing : Inspection item	

Amphenol LTW
安費諾亮泰企業股份有限公司

ITEM NO. HDB-78PFFP-SL7001	DRAWN BY Di_lu	DATE 2013-05-13
DWG NO. HDB-78PFFP-SL7001	CHECKED BY Mafei	DATE 2013-05-13
CUSTOMER ALTW	APPROVED BY Victor	DATE 2013-05-13

THIS DOCUMENT IS SUBJECT TO CHANGE WITHOUT NOTICE. IT IS CONFIDENTIAL AND A PROPERTY OF Amphenol LTW. DISCLOSURE TO THIRD PARTY HAS TO BE AUTHORIZED BY Amphenol LTW.

F
E
D
C
B
A