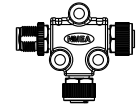
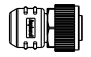
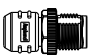
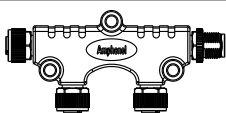
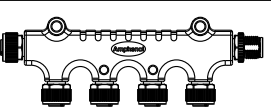
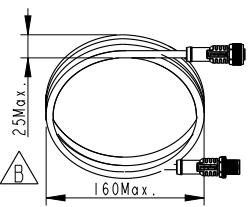
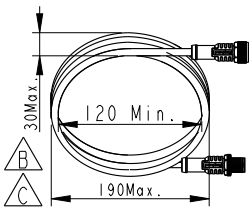
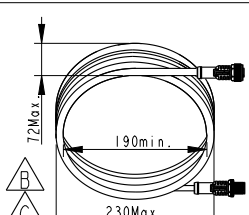
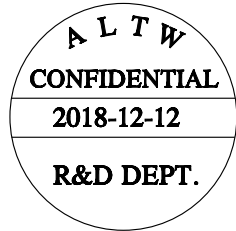




THIS DOCUMENT IS SUBJECT TO CHANGE WITHOUT NOTICE. IT IS CONFIDENTIAL AND A PROPERTY OF Amphenol LTW. DISCLOSURE TO THIRD PARTY HAS TO BE AUTHORIZED BY Amphenol LTW.

REV.	ECN NO.	DATE	SIGN	DESCRIPTION
C	CI80317	2018-12-12	Frank	Change Coiling Size

Pro	① [△] HMC-050505-FMF-TS001	3 Tee Adaptor 2Pcs	
	② HMC-05BFFT-SL8001	Female Terminator 1Pcs	
	③ HMC-05BMMT-SL8001	Male Terminator 1Pcs	
	④ H-555500-FFFM00-S001	4Tee Adaptor 2Pcs	
	⑧ H-555555-FFFFFM-S001	[△] 6Tee Adaptor 2Pcs	
	⑤ HMC-000505-OMF-CSA02	2 Ends With Cable 2M, 1Pcs	
	⑥ HMC-000505-OMF-CSA05	2 Ends With Cable 5M, 1Pcs	
⑦ HMC-000505-OMF-CSA10	2 Ends With Cable 10M, 1Pcs		



- [△]Note:
- * 3 Tee adaptor: 2PCS
 - * Female Terminator 1PCS
 - * Male Terminator :1PCS
 - * 4Tee adapter connector 2pcs
 - * 6 Tee adapter connector 2pcs
 - * 2 Ends Cable, cable length 2m,5m,10m各1PCS,
 - * All connector put into the blister tray
 - * 注意繞線尺寸需符合圖面要求, 否則會影響產品裝入彩盒.
 - * 5pcs blister tray /Carton
 - * Net weight: 7.8kg / Carton
 - * Gross weight: 10.0Kg / Carton

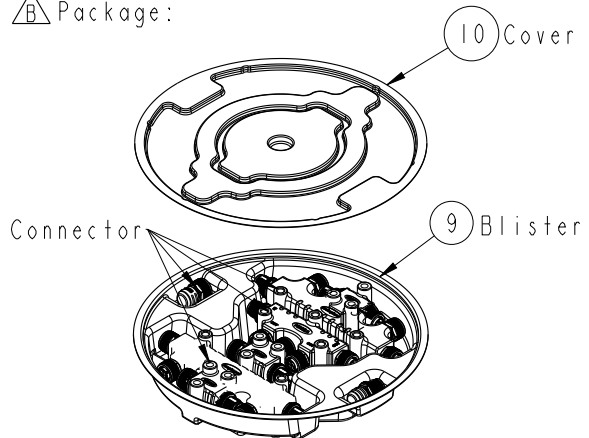
UNIT:mm		
TOLERANCE		

TITLE NMEA2000 Starter Kit Metal, Pro Type		
SCALE Free	SIZE A4	SHEET 1 OF 2
REV. C	WC-REV. A.2	QC: Inspection item

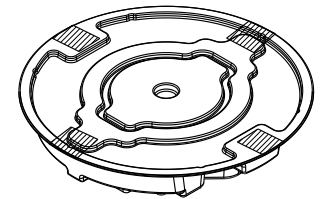
Amphenol LTW
安費諾亮泰企業股份有限公司

ITEM NO HMC-P-001	DRAWN BY Fisher Wang	DATE 2018-12-12
DWG NO HMC-P-001	CHECKED BY Victor Hung	DATE 2018-12-12
CUSTOMER ALTW	APPROVED BY Kevin Hu	DATE 2018-12-12

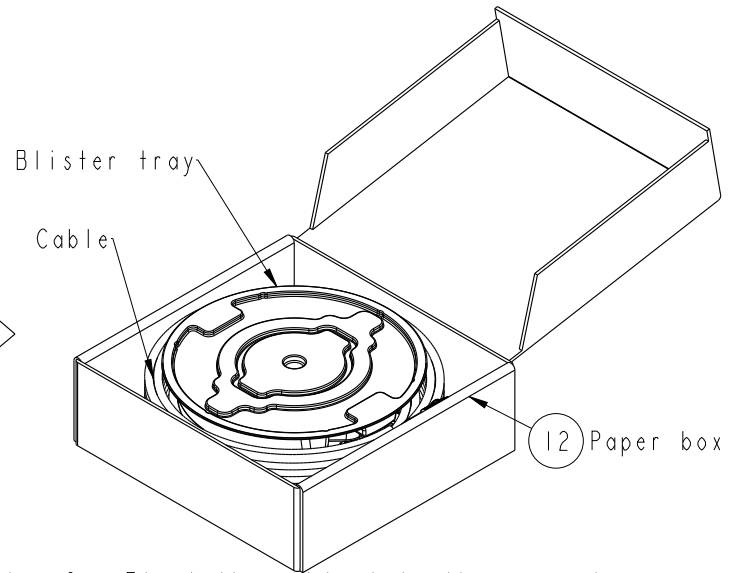
Package:



Step 1: Connector put in the Tray
將所有連接器裝入泡殼

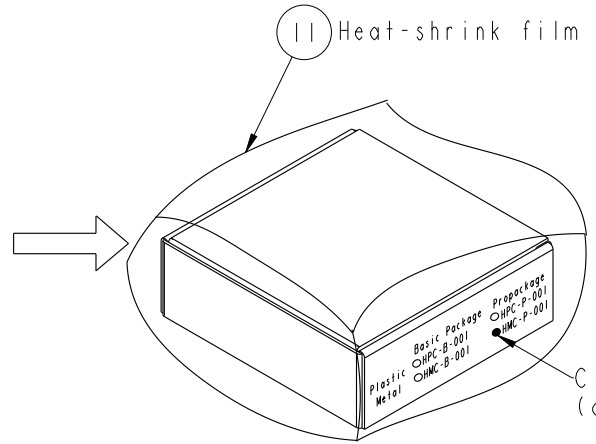


Step 2: Use adhesive tape bonding the blister tray and cover
使用膠帶粘合泡殼和上蓋

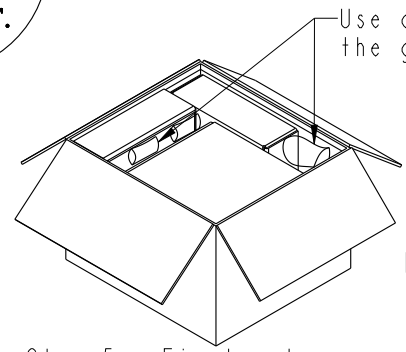


Step 3: First the cable into the paper box, then put the blister tray into the paper box
先將線材放入紙盒，然後再將裝好連接器的泡殼放入紙盒

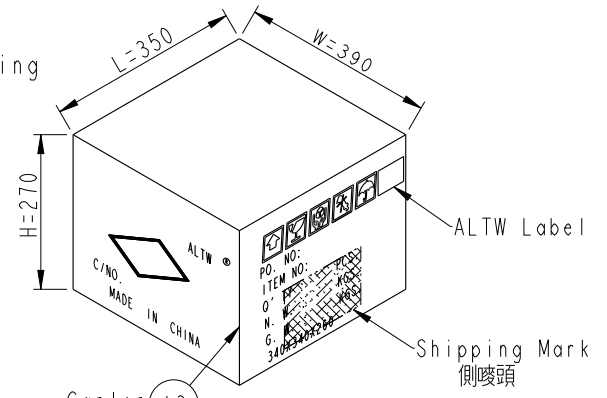
ALTW
CONFIDENTIAL
2018-12-12
R&D DEPT.



Step 4: Use a small circular stickers on cartons side, small circular sticker must be on the right product, and then do shrink film
使用一張圓形小貼紙貼于紙盒側邊，圓形貼紙需貼在正確的產品料號上，確認紙盒內部包裝的產品與圖面要求一致，然後封收縮膜包裝



Step 5: First put a waterproof bag into carton, 5pcs paper box into the carton, use air bag filling the gaps
首先在外箱內放一個防水袋，每5個紙盒裝入一個外箱，多餘的空隙需用氣包袋填滿



Carton (13)
Interior cardboard (14)
Partition (15)
Waterproof bag (16)

UNIT: mm	
TOLERANCE	

TITLE NMEA2000 Starter Kit Metal, Pro Type			
SCALE Free	SIZE A4	SHEET 2 OF 2	
REV. C	WC-REV. A.1	QC: Inspection item	

Amphenol LTW
安費諾亮泰企業股份有限公司

ITEM NO HMC-P-001	DRAWN BY Fisher Wang	DATE 2018-12-12
DWG NO HMC-P-001	CHECKED BY Victor Hung	DATE 2018-12-12
CUSTOMER ALTW	APPROVED BY Kevin Hu	DATE 2018-12-12