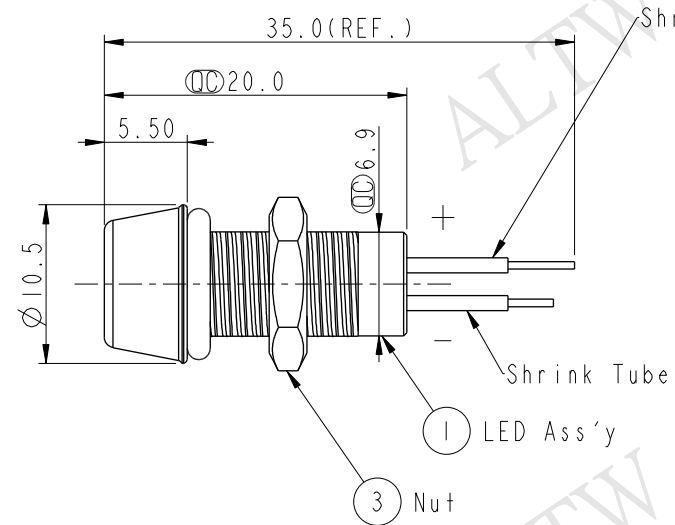
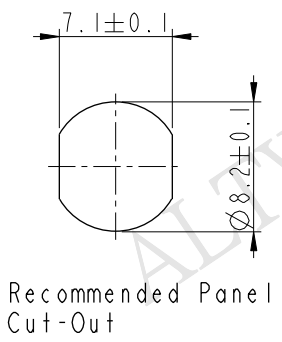
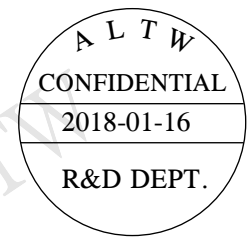
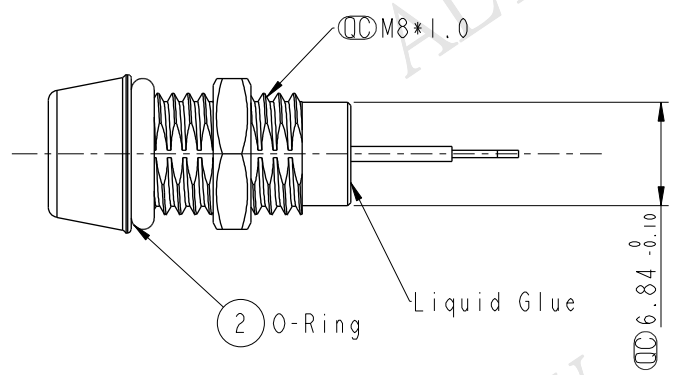
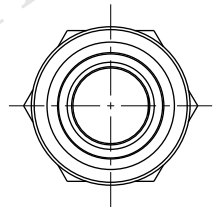
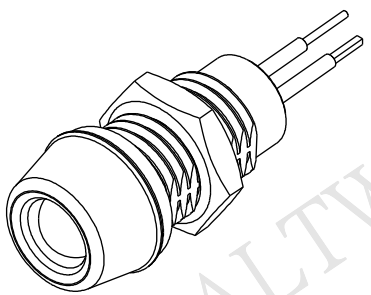


THIS DOCUMENT IS SUBJECT TO CHANGE WITHOUT NOTICE. IT IS CONFIDENTIAL AND A PROPERTY OF AMPHENOL LTW. DISCLOSURE TO THIRD PARTY HAS TO BE AUTHORIZED BY AMPHENOL LTW.

REV.	ECN NO.	DATE	SIGN	DESCRIPTION
C	LEN-8B0713	2008/11/24	TOMMY	CHANGE THE NOTE
D	LEN-930473	2009/03/04	ZhaoRongFu	Add Waterproof Rate
E	LEN1810176	2018/01/16	Mark	CHANGE THE NOTE



- Notes:
- * QC Important Dimension To Check
 - * Waterproof Rate: IP67
 - * LED Spec.
 - \varnothing 5mm, Green
 - Lens Color: Water Clear
 - Viewing Angle: 15°
 - Absolute Maximum Rating (@25°C);
 - * Power Dissipation: 76mW
 - * Forward Current(IF): 30mA
 - * Reverse Voltage(VR): 5V
 - Forward Voltage(VF): typ. 3.3V(@IF=20mA, 25°C)
 - Luminous Intensity(IV): typ. 22000mcd(@IF=20mA, 25°C)
 - * Internal Current Limiting Resistor: 47 Ω
 - * Recommended Operating Voltage: DC 4V
 - * LED Holder: Copper Alloy, Nickel Plating
 - * O-Ring: EPDM, Black
 - * Screw Nut: Copper Alloy, Nickel Plating
 - * Operating Temperature: -40~+80°C
 - * Panel Thickness: 6.5mm max.



UNIT: mm		
TOLERANCE	.X ±0.25	
	.XX ±0.1	
	.XXX ±0.05	
ANGLES	±1°	

TITLE Waterproof Led (\varnothing 5mm) Green, Solder Type			
SCALE 2:1	SIZE A4	SHEET 1 OF 1	
REV. E	WC-REV. A.2	QC : Inspection item	

Amphenol LTW
安費諾亮泰企業股份有限公司

ITEM NO. L08-01GBAS-MR7001	DRAWN BY Mark	DATE 2018/01/16
DWG NO. L08-01GBAS-MR7001	CHECKED BY Neo	DATE 2018/01/16
CUSTOMER ALTW	APPROVED BY Max	DATE 2018/01/16