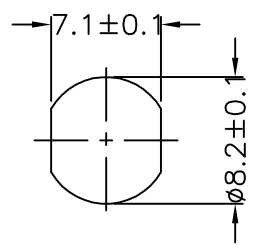
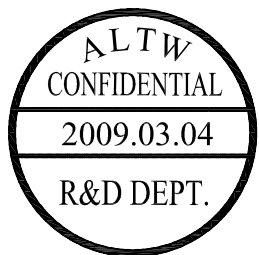
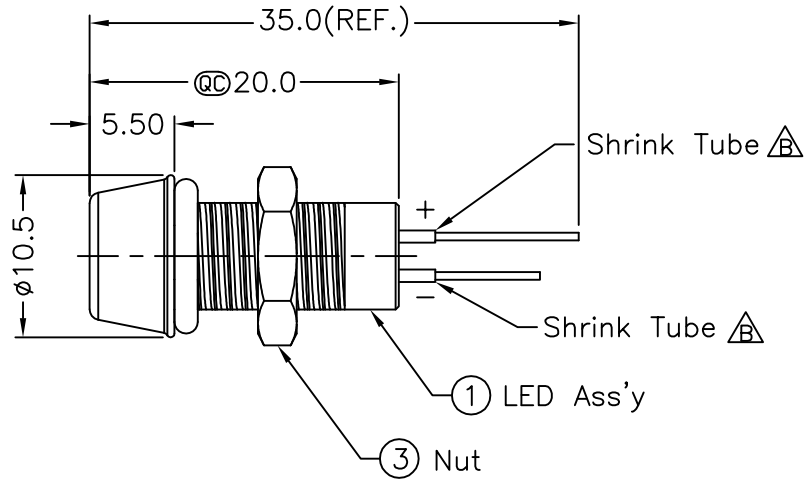
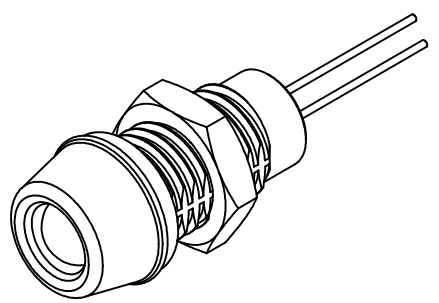


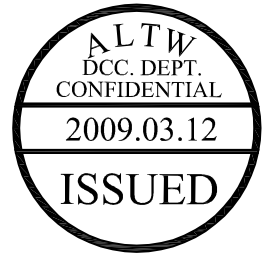
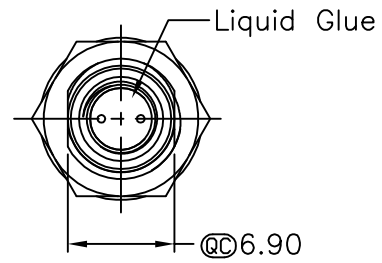
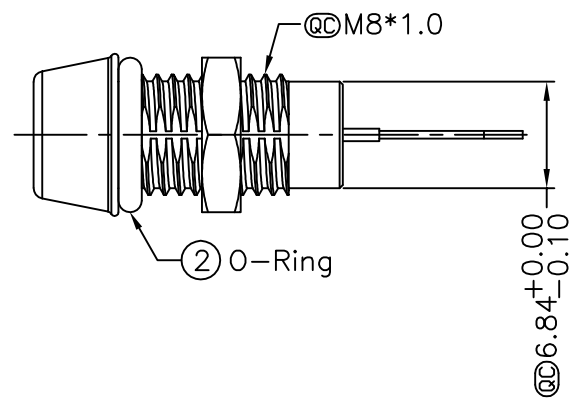
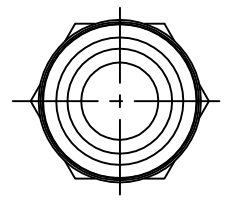
REV.	ECN NO.	DATE	SIGN	DESCRIPTION
B	LE3-850098	2008/05/14	Rex	LED Pin Add Shrink Tube
C	LEN-930479	2009/03/04	ZhaoRongFu	Add Waterproof Rate



Recommended Panel Cut-Out



- Notes:
- \* @@ Important Dimension To Check
  - \* Waterproof Rate: IP67
  - \* LED Holder: Brass, Nickel Plating
  - \* LED:  $\phi 5$  mm, White (高亮度)
  - \* Gasket: EPDM, Black
  - \* Screw Nut: Brass, Nickel Plating
  - \* Operating Voltage: DC 4V
  - \* Operating Temperature:  $-40 \sim +80^{\circ}\text{C}$
  - \* For Panel Thickness 6.5 max.



UNIT:mm	
TOLERANCE	
.X	±0.25
.XX	±0.1
.XXX	±0.05
ANGLES	±1'

TITLE Waterproof Led ( $\phi 5$ mm) White, Solder Type	
SCALE Free	SHEET 1 OF 1
REV. C	SIZE A4
@@ : Inspection Item	

**Amphenol LTW**  
安費諾亮泰企業股份有限公司

ITEM NO L08-01WBAS-MR7001
DWG NO L08-01WBAS-MR7001
CUSTOMER ALTW

DRAWN BY Zhao Rong Fu
CHECKED BY Prune
APPROVED BY LUKE

DATE 2009/03/04
DATE 2009/03/05
DATE 2009/03/05

THIS DOCUMENT IS SUBJECT TO CHANGE WITHOUT NOTICE. IT IS CONFIDENTIAL AND A PROPERTY OF Amphenol LTW. DISCLOSURE TO THIRD PARTY HAS TO BE AUTHORIZED BY Amphenol LTW.