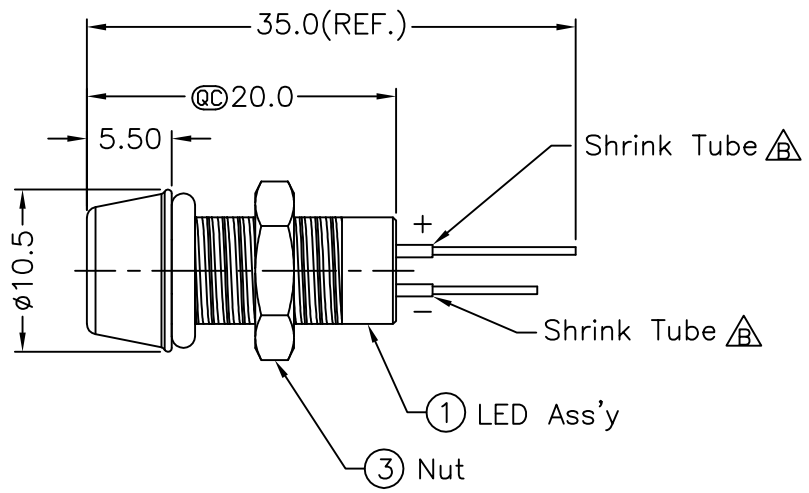
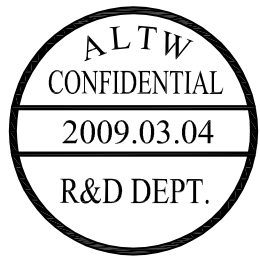
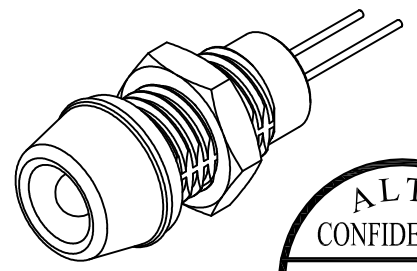
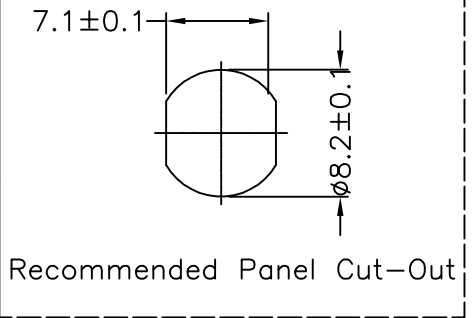


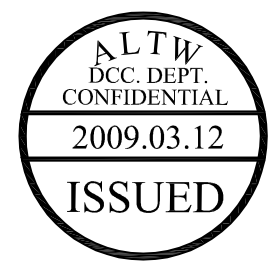
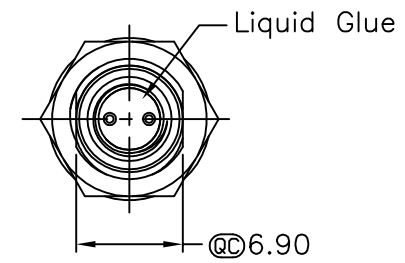
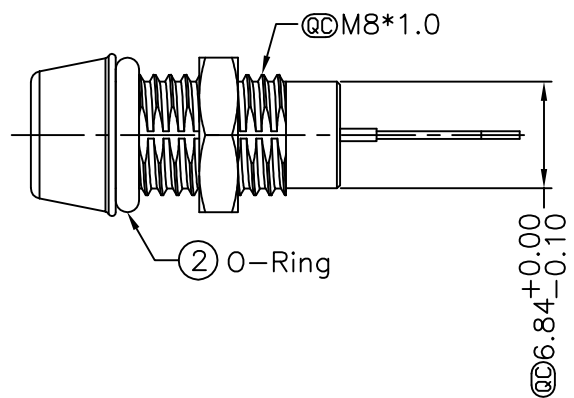
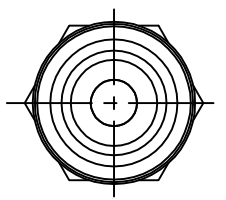
REV.	ECN NO.	DATE	SIGN	DESCRIPTION
B	LF3-850097	2008/05/14	Rex	LED Pin Add Shrink Tube
C	LEN-930480	2009/03/04	ZhaoRongFu	Add Waterproof Rate

THIS DOCUMENT IS SUBJECT TO CHANGE WITHOUT NOTICE. IT IS CONFIDENTIAL AND A PROPERTY OF Amphenol LTW. DISCLOSURE TO THIRD PARTY HAS TO BE AUTHORIZED BY Amphenol LTW.



Notes:

- * @C Important Dimension To Check
- * Waterproof Rate: IP67
- * LED Holder: Brass, Nickel Plating
- * LED: $\phi 3$ mm, Yellow (高亮度)
- * Gasket: EPDM, Black
- * Screw Nut: Brass, Nickel Plating
- * Operating Voltage: DC 4V
- * Operating Temperature: $-40 \sim +80^{\circ}\text{C}$
- * For Panel Thickness 6.5mm Max.



UNIT:mm	
TOLERANCE	
.X	±0.25
.XX	±0.1
.XXX	±0.05
ANGLES	±1°

TITLE Waterproof Led ($\phi 3$ mm) Yellow, Solder Type	
SCALE Free	SHEET 1 OF 1
REV. C	SIZE A4
@C : Inspection Item	

Amphenol LTW
安費諾亮泰企業股份有限公司

ITEM NO L08-01YAAS-MR7001
DWG NO L08-01YAAS-MR7001
CUSTOMER ALTW

DRAWN BY Zhao Rong Fu
CHECKED BY Prune
APPROVED BY LUKE

DATE 2009/03/04
DATE 2009/03/05
DATE 2009/03/05