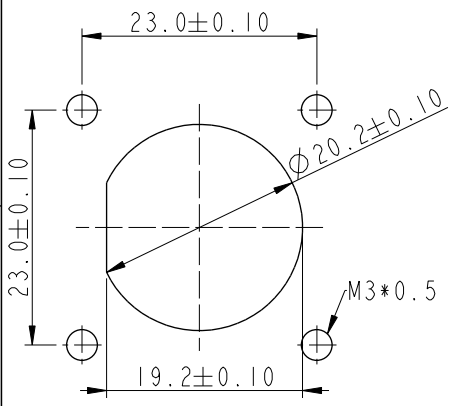
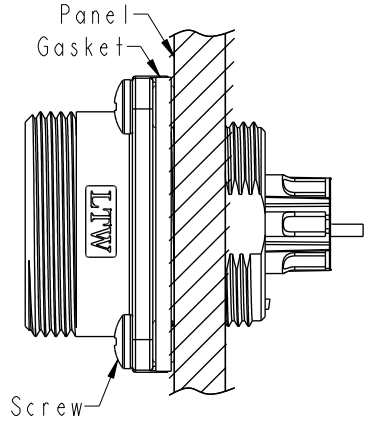


THIS DOCUMENT IS SUBJECT TO CHANGE WITHOUT NOTICE. IT IS CONFIDENTIAL AND A PROPERTY OF AMPHENOL LTW. DISCLOSURE TO THIRD PARTY HAS TO BE AUTHORIZED BY AMPHENOL LTW.

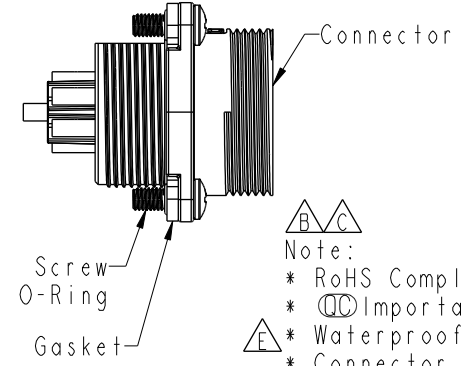
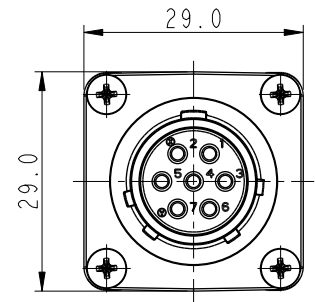
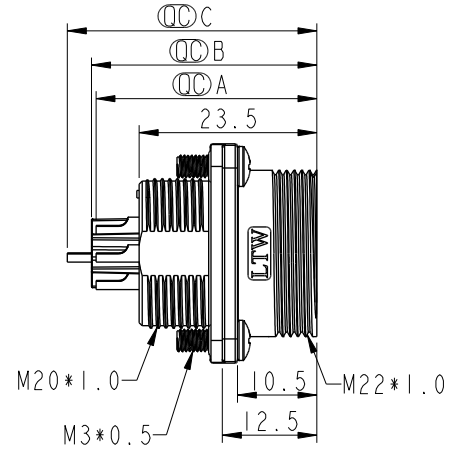
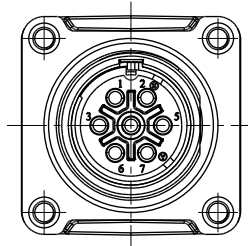
REV.	ECN NO.	DATE	SIGN	DESCRIPTION
C	C210669	2021/04/30	Vicky	△C X5
D	C220337	2022/03/04	Vicky	△D XI
E	C221869	2022/12/05	Vicky	△E XI



Recommend Panel Cut-Out



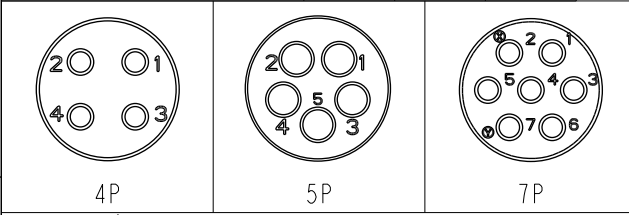
Assembly Instruction



△B △C
Note:
* RoHS Compliant
* Ⓞ Important dimension
△E * Waterproof rate: IP68, unmated 1m/24h
* Connector

Housing: Thermoplastic, Black
Pin: Copper alloy, Silver plated
Gasket: Rubber, Gray
Shield: Metal
* Gasket: Rubber, Gray
* Screw: Metal
* O-Ring: Rubber, Gray
* For panel thickness max: 9.0mm
* Gasket, screw+o-ring are packed separately in pe bag

LB20-04PMFS-SW8001	29.0		
LB20-05PMFS-SW8001		29.8	
LB20-07PMFS-SW8001		29.8	33.0
Item No.	A	B	C



△C Pin Assignments Front View

△C LB20-XXPMFS-SW8001
XX: No. Of Pin

UNIT:mm		TITLE	
TOLERANCE	±0.25	O SEN, M20 48H, 10A RECEPTACLE, M, F, SOLDER	
.X	±0.1	SCALE	1:1
.XX	±0.05	SIZE	A4
.XXX	±1°	SHEET	1 OF 1
ANGLES		REV.	E
		WC-REV.	A.2
		Ⓞ	Inspection item

Amphenol LTW
安費諾亮泰企業股份有限公司

ITEM NO.	DRAWN BY	DATE
LB20-XXPMFS-SW8001	Vicky	2016-05-04
DWG. NO.	CHECKED BY	DATE
LB20-XXPMFS-SW8001	Rita	2016-05-04
CUSTOMER	APPROVED BY	DATE
ALTW	Lisa	2016-05-04