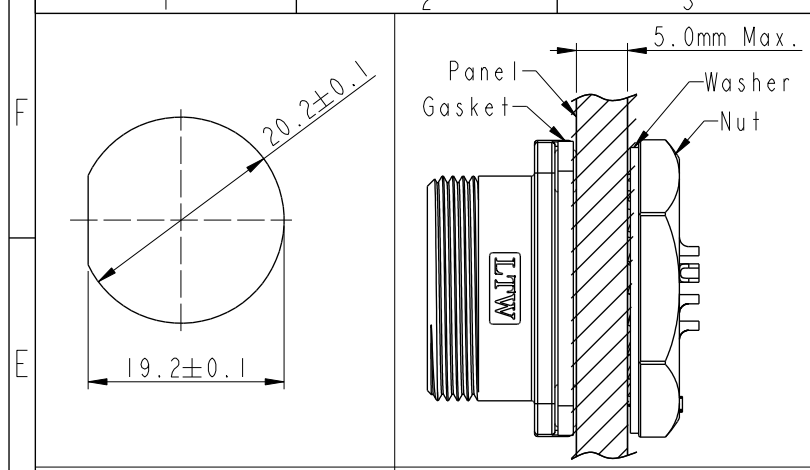
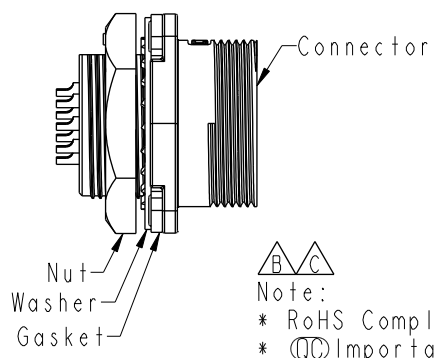
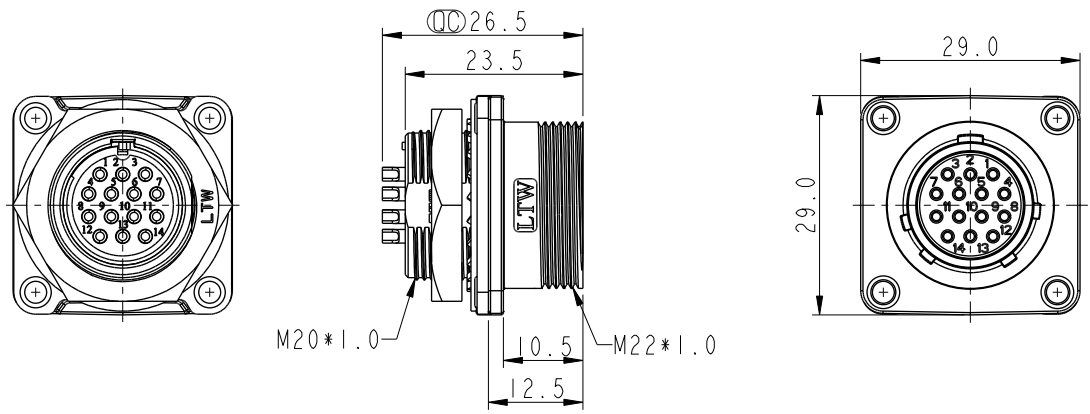


THIS DOCUMENT IS SUBJECT TO CHANGE WITHOUT NOTICE. IT IS CONFIDENTIAL AND A PROPERTY OF AMPHENOL LTW. DISCLOSURE TO THIRD PARTY HAS TO BE AUTHORIZED BY AMPHENOL LTW.

REV.	ECN NO.	DATE	SIGN	DESCRIPTION
B	LE31650237	2016/05/04	Vicky	Update Note
C	C210669	2021/04/29	Vicky	△C X5
D	C221869	2022/12/05	Vicky	△D XI



Recommend Panel Cut-Out Assembly Instruction



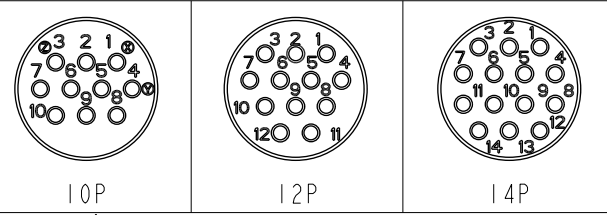
△B △C

Note:

- * RoHS Compliant
- * ∅ Important dimension
- * △ Waterproof rate: IP68, unmated 1m/24h
- * Connector
- Housing: Thermoplastic, Black
- Pin: Copper alloy, Silver plated
- Gasket: Rubber, Gray
- Shield: Metal
- * Nut: Metal
- * Washer: Metal
- * Gasket: Rubber, Gray
- * For panel thickness max: 5.0mm
- * Gasket, nut and washer are packed separately in pe bag

△C LD20-XXPMFS-SN8001

XX: No. Of Pin



△C Pin Assignments Front View

UNIT:mm			TITLE	∅ SEN, M20 48H,5A RECEPTACLE, M, F, SOLDER	∅					
TOLERANCE	.X ±0.25	.XX ±0.1	SCALE	1:1	SIZE	A4	SHEET	1	OF	1
ANGLES	.XXX ±0.05	±1°	REV.	D	WC-REV.	A.2	∅	∅	∅	∅
∅ Inspection item										

Amphenol LTW
安費諾亮泰企業股份有限公司

ITEM NO	LD20-XXPMFS-SN8001	DWG NO	LD20-XXPMFS-SN8001	CUSTOMER	ALTW	DRAWN BY	Vicky	DATE	2016-05-04
CHECKED BY	Rita	APPROVED BY	Lisa	DATE	2016-05-04	DATE	2016-05-04	DATE	2016-05-04