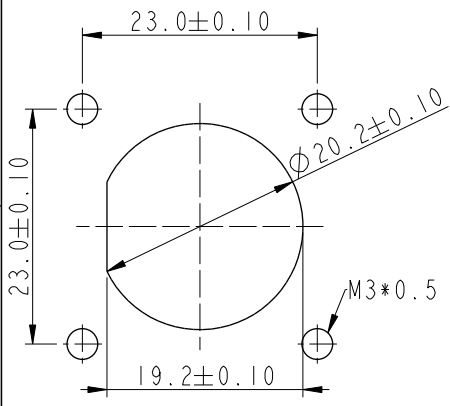
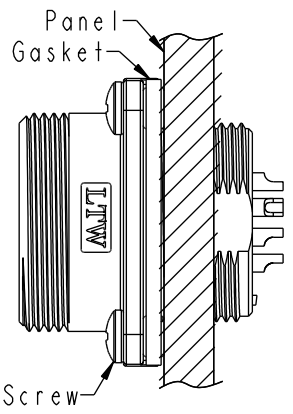


THIS DOCUMENT IS SUBJECT TO CHANGE WITHOUT NOTICE. IT IS CONFIDENTIAL AND A PROPERTY OF Amphenol LTW. DISCLOSURE TO THIRD PARTY HAS TO BE AUTHORIZED BY Amphenol LTW.

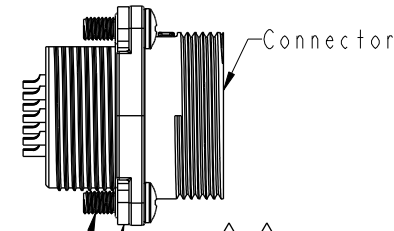
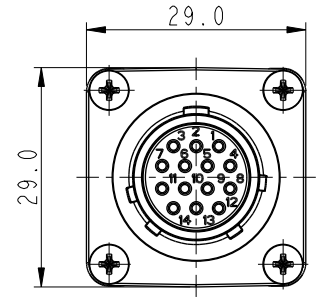
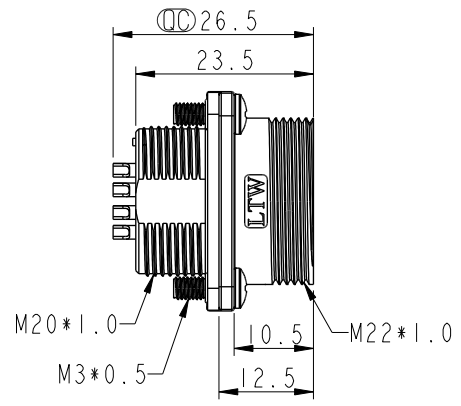
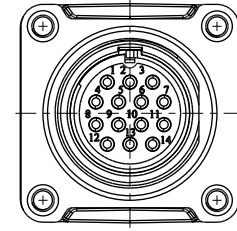
REV.	ECN NO.	DATE	SIGN	DESCRIPTION
C	C210669	2021/04/30	Vicky	△C X5
D	C221820	2022/11/21	Vicky	△D XI
E	C221869	2022/12/05	Vicky	△E XI



Recommend Panel Cut-Out



Assembly Instruction



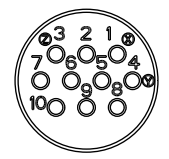
△B △C

Note:

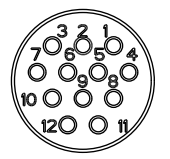
- * RoHS Compliant
- * Ⓞ Important dimension
- △E * Waterproof rate: IP68, unmated 1m/24h
- * Connector
- Housing: Thermoplastic, Black
- △D Pin: Copper alloy, Silver plated
- Gasket: Rubber, Gray
- Shield: Metal
- * Gasket: Rubber, Gray
- * Screw: Metal
- * O-Ring: Rubber, Gray
- * For panel thickness max: 9.0mm
- * Gasket, screw+o-ring are packed separately in pe bag

△C LD20-XXPMFS-SW8001

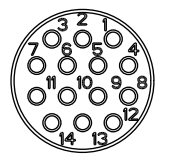
XX: No. Of Pin



10P



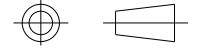
12P



14P

△C Pin Assignments Front View

UNIT:mm



TOLERANCE	
.X	±0.25
.XX	±0.1
.XXX	±0.05
ANGLES	±1°

TITLE O SEN, M20 48H,5A RECEPTACLE, M, F, SOLDER			
SCALE 1:1	SIZE A4	SHEET 1 OF 1	
REV. E	WC-REV. A.2	Ⓞ Inspection item	

Amphenol LTW
安費諾亮泰企業股份有限公司

ITEM NO	DRAWN BY Vicky	DATE 2016-05-04
DWG NO △C LD20-XXPMFS-SW8001	CHECKED BY Rita	DATE 2016-05-04
CUSTOMER ALTW	APPROVED BY Lisa	DATE 2016-05-04