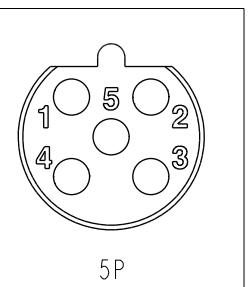
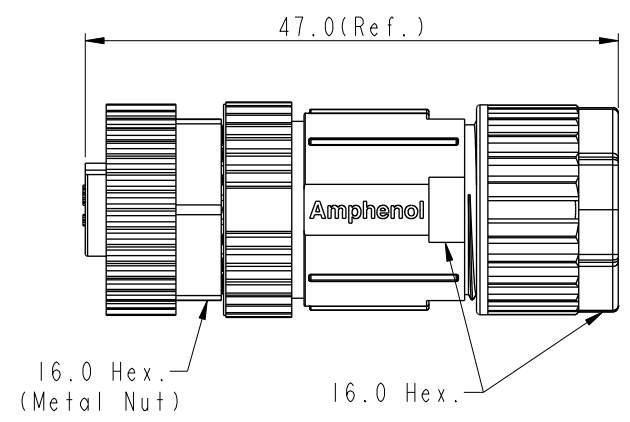
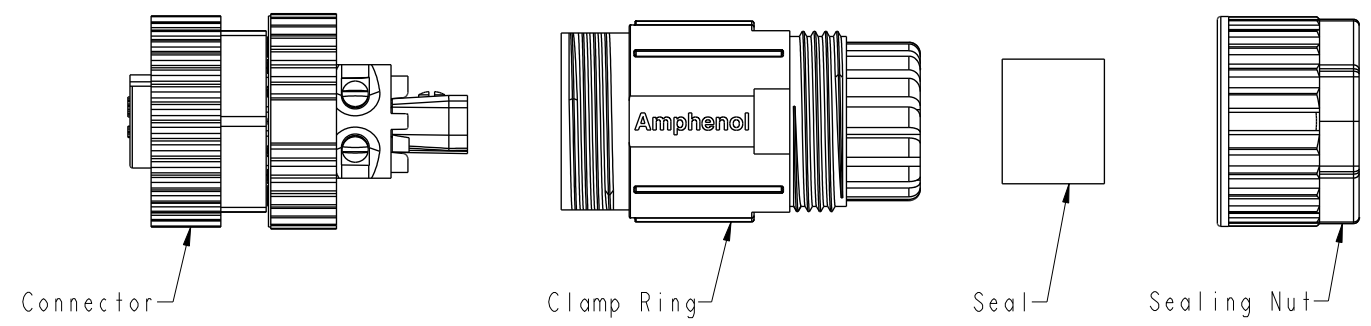


THIS DOCUMENT IS SUBJECT TO CHANGE WITHOUT NOTICE. IT IS CONFIDENTIAL AND A PROPERTY OF Amphenol LTW. DISCLOSURE TO THIRD PARTY HAS TO BE AUTHORIZED BY Amphenol LTW.

REV.	ECN NO.	DATE	SIGN	DESCRIPTION
A	Initial Release	2015/10/08	Mila	Change Rev.01 To Rev.A
B	C201453	2020/10/07	Ruru	$\triangle B$ X4
C	C210561	2021/04/12	Vicky	$\triangle C$ X2

$\triangle B$
M12B-XXBFFB-SL7001
XX: No. Of Pin



5P
Pin Assignments
Front View

- $\triangle B$ $\triangle C$
Note:
- * RoHS Compliant
 - * $\text{\textcircled{C}}$ Important Dimension
 - * Waterproof rate: IPX7, mated
 - * Connector
 - Housing: Thermoplastic, Black
 - Pin: Copper alloy, Gold plated
 - Extension Nut: Thermoplastic, Black
 - Nut: Metal
 - O-Ring: Rubber, Gray
 - * Clamp Ring: Thermoplastic, Black
 - * Sealing Nut: Thermoplastic, Black
 - * Seal: Rubber, Gray, OD: $\varnothing 4.0\text{mm} \sim \varnothing 8.0\text{mm}$
 - * One set unassembled in one pe bag

UNIT:mm	$\text{\textcircled{C}}$	$\text{\textcircled{C}}$	TITLE N SEN, M12 B, SCREW CABLE W/O SR, F, F, FI SCREW IN	$\triangle B$
TOLERANCE .X ± 0.25 .XX ± 0.1 .XXX ± 0.05 ANGLES $\pm 1^\circ$			SCALE 1:1	SIZE A4
			REV. C	WC-REV. A.3
			$\text{\textcircled{C}}$: Inspection item	

Amphenol LTW
安費諾亮泰企業股份有限公司

ITEM NO	DRAWN BY Mila	DATE 2015-10-08
DWG NO $\triangle B$ M12B-XXBFFB-SL7001	CHECKED BY Cary	DATE 2015-10-08
CUSTOMER ALTW	APPROVED BY Jerry	DATE 2015-10-08