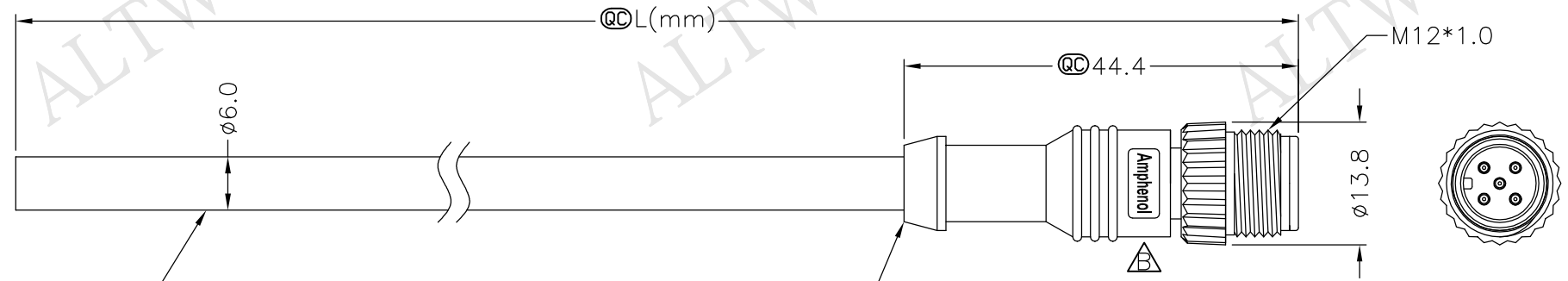


REV.	ECN NO.	DATE	SIGN	DESCRIPTION
B	LEN1670055~058	2016/06/30	Vicky	Update Logo & Note



Cable ②

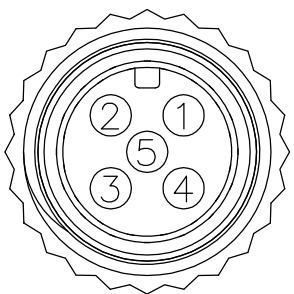
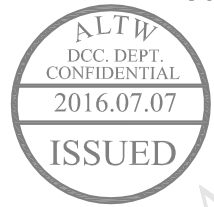
12P-05BMMM-SL8000 ①  
Color: Black

MCP-05BMMM-SL8AXX

XX :01~99Meters  
 01 :01Meter  
 02 :02Meters  
 :  
 :  
 :  
 99 :99Meters

Cable Length(L):01~99Meters

Note:  
 \* ① Important Dimension.  
 \* Waterproof Rate: IP68  
 IP68: 1M Depth Of Water In 24hours  
 \* Connector: Polyurethane (PU), Black  
 \* Male Pin: Copper Alloy, Gold Plated  
 \* Cable: (24AWG\*1P+Al)+(22AWG\*1P+Al)  
 +Drain+Al.Mylar+Braid, OD=6.0mm  
 \* Cable Length Tolerance: 1M:±40mm  
 02M~05M:±60mm  
 06M~10M:±100mm  
 11M~30M:±200mm  
 31M~99M:±500mm



Pin Assignments  
Front View

5	Blue	(24AWG)	藍	Twist
4	White	(24AWG)	白	
3	Black	(22AWG)	黑	Twist
2	Red	(22AWG)	紅	
1	Shield	(22AWG)		
Conn.	Wire Color			
	Pin Out			

UNIT:mm	
TOLERANCE	±0.5 mm

TITLE		M12P Conn NMEA	
Cable Screw 5Pin M Conn M Pin			
SCALE	Free	SHEET	1 OF 1
REV.	B	SIZE	A4
① :Inspection Item			

**Amphenol LTW**  
 安費諾亮泰企業股份有限公司

ITEM NO	DRAWN BY	DATE
DWG NO	CHECKED BY	DATE
CUSTOMER	APPROVED BY	DATE
	Vicky	2016/06/30
MCP-05BMMM-SL8AXX	Rita	2016/06/30
ALTW	Lisa	2016/06/30

THIS DOCUMENT IS SUBJECT TO CHANGE WITHOUT NOTICE. IT IS CONFIDENTIAL AND A PROPERTY OF Amphenol LTW. DISCLOSURE TO THIRD PARTY HAS TO BE AUTHORIZED BY Amphenol LTW.

1  
F  
E  
D  
C  
B  
A

2  
3

4  
5

6

7

8  
8 FMW0702-01-01A2