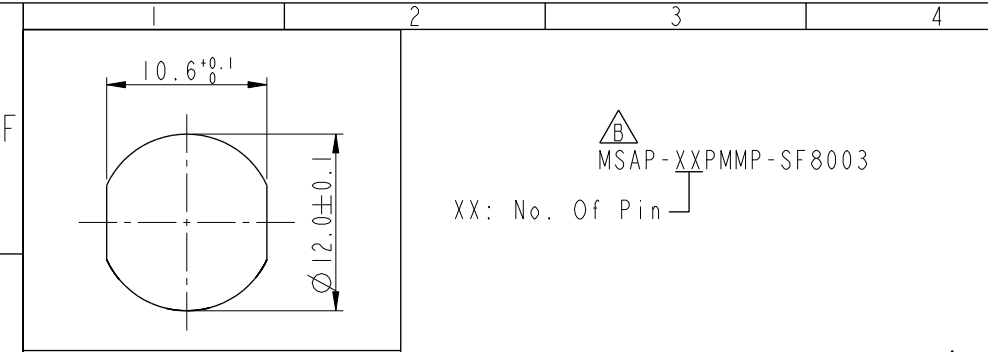


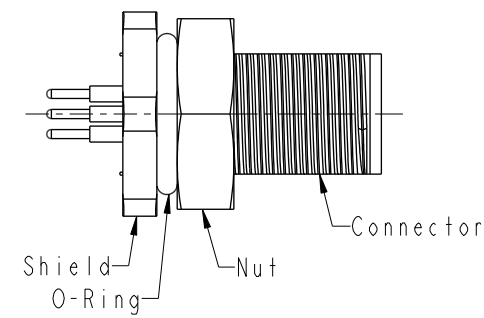
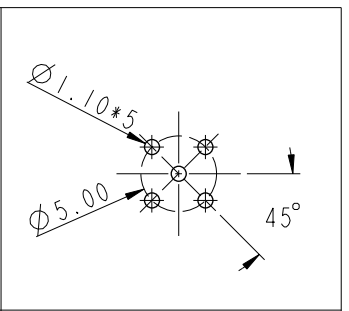
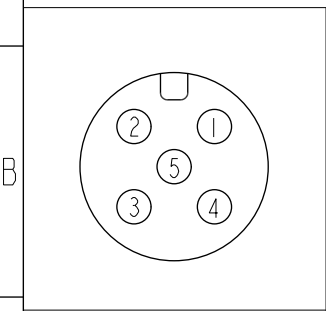
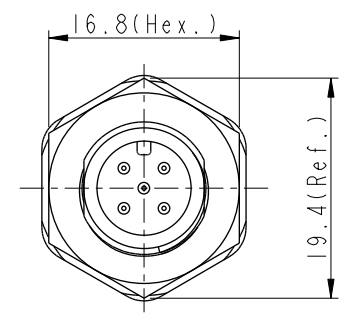
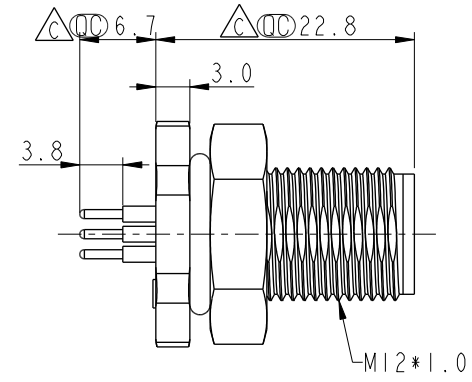
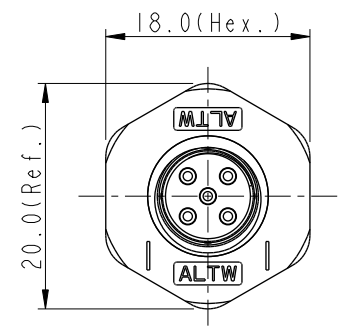
THIS DOCUMENT IS SUBJECT TO CHANGE WITHOUT NOTICE. IT IS CONFIDENTIAL AND A PROPERTY OF Amphenol LTW. DISCLOSURE TO THIRD PARTY HAS TO BE AUTHORIZED BY Amphenol LTW.

REV.	ECN NO.	DATE	SIGN	DESCRIPTION
B	C201647	2020/10/26	Vicky	$\triangle B$ X4
C	C210309	2021/03/05	Ruru	$\triangle C$ X3



Recommended Panel Cut-Out

$\triangle B$ MSAP-XXPMMP-SF8003
XX: No. Of Pin



- $\triangle B \triangle C$ Note:
- * RoHS Compliant
 - * CC Important dimension
 - * Waterproof rate: IPX8, unmated 1m/24h
 - * Connector
 - Housing: Thermoplastic, Black
 - Pin: Copper alloy, Gold plated
 - * Shield: Thermoplastic, Black
 - * Nut: Thermoplastic, Black
 - * O-Ring: Rubber, Gray
 - * For panel thickness max: 4.0mm
 - * For pcb thickness max: 1.6mm
 - * Nut is packed separately in pe bag

Pin Assignment Front View

PCB Layout

UNIT:mm		TITLE	N SEN, M12 A -PLASTIC, SCREW RECEPTACLE, M, M, PCB S $\triangle B$		
TOLERANCE		SCALE	SIZE	SHEET	OF
.X	±0.25	2:1	A4	1	1
.XX	±0.1	REV.	WC-REV.	CC : Inspection item	
.XXX	±0.05	C	A.4		
ANGLES	±1°				

Amphenol LTW
安費諾亮泰企業股份有限公司

ITEM NO	DRAWN BY	DATE
	Yulong_wang	2016-12-09
DWG NO	CHECKED BY	DATE
$\triangle B$ MSAP-XXPMMP-SF8003	Jinhai	2016-12-09
CUSTOMER	APPROVED BY	DATE
ALTW	Jerry	2016-12-09