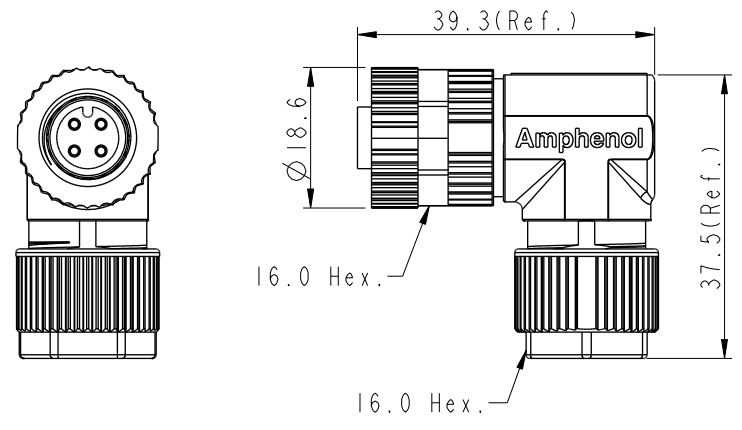
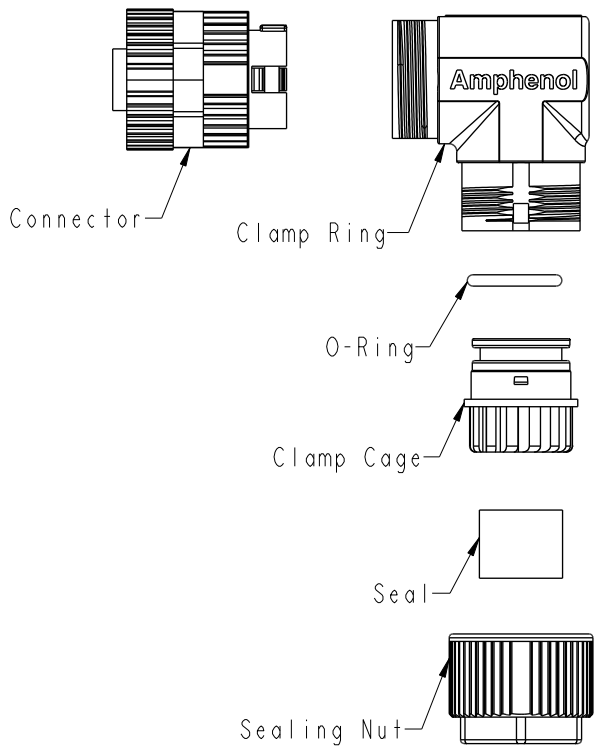
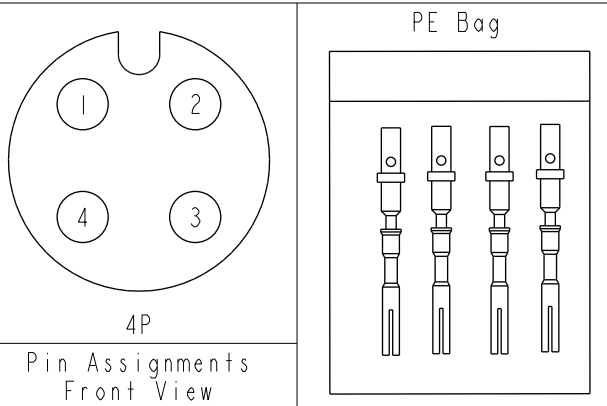


THIS DOCUMENT IS SUBJECT TO CHANGE WITHOUT NOTICE. IT IS CONFIDENTIAL AND A PROPERTY OF AMPHENOL LTW. DISCLOSURE TO THIRD PARTY HAS TO BE AUTHORIZED BY AMPHENOL LTW.

REV.	ECN NO.	DATE	SIGN	DESCRIPTION
C	C201453	2020/10/08	Ruru	$\triangle C$ X4
D	C210561	2021/04/15	Vicky	$\triangle D$ X2
E	C210977	2021/06/23	Vicky	$\triangle E$ X1



- $\triangle C$   $\triangle D$   
 Note:  
 \* RoHS Compliant  
 \*  $\text{⌀}$  Important Dimension  
 \* Waterproof rate: IPX7, mated  
 \* Connector  
 Housing: Thermoplastic, Black  
 Pin: Copper alloy, Gold plated  
 Extension Nut: Metal  
 Nut: Metal  
 O-Ring: Rubber, Gray  
 \* Clamp Ring: Metal  
 \* O-Ring: Rubber, Gray  
 \* Clamp Cage: Thermoplastic, Black  
 \* Sealing Nut: Metal  
 $\triangle B$  \* Seal: Rubber, Gray, OD:  $\text{⌀}4.0\text{mm} \sim \text{⌀}7.0\text{mm}$   
 $\triangle E$  \* Applicable wire gauge: 20AWG~24AWG  
 \* One set unassembled in one pe bag



$\triangle C$   
 MSAS-XXBFFC-SR7001  
 XX: No. Of Pin

UNIT:mm	$\text{⊕}$	TITLE N SEN, M12 A -SHLD, SCREW CABLE W/O SR, F, F, FI/PANEL CRIMP	$\triangle C$
TOLERANCE .X ±0.25 .XX ±0.1 .XXX ±0.05 ANGLES ±1°	$\triangle D$	SCALE Free	SIZE A4
		REV. E	WC-REV. .0
		SHEET 1 OF 1 $\text{⊕}$ : Inspection item	

**Amphenol LTW**  
 安費諾亮泰企業股份有限公司

ITEM NO	DRAWN BY Xiaofeng	DATE 2020-03-09
DWG NO $\triangle C$ MSAS-XXBFFC-SR7001	CHECKED BY Li-Feng	DATE 2020-03-09
CUSTOMER ALTW	APPROVED BY Jerry	DATE 2020-03-09