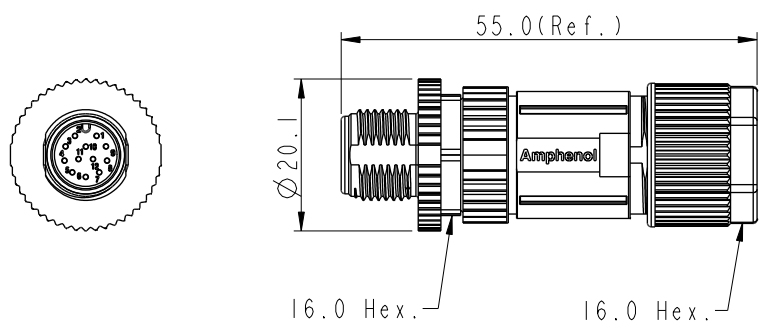
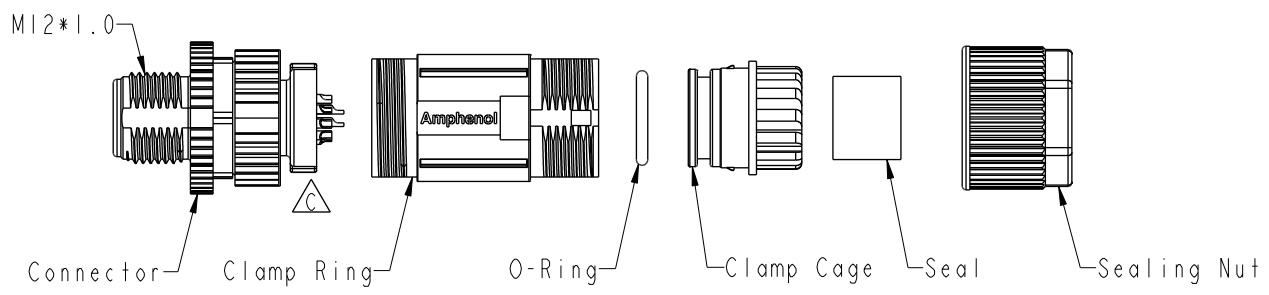


THIS DOCUMENT IS SUBJECT TO CHANGE WITHOUT NOTICE. IT IS CONFIDENTIAL AND A PROPERTY OF Amphenol LTW. DISCLOSURE TO THIRD PARTY HAS TO BE AUTHORIZED BY Amphenol LTW.

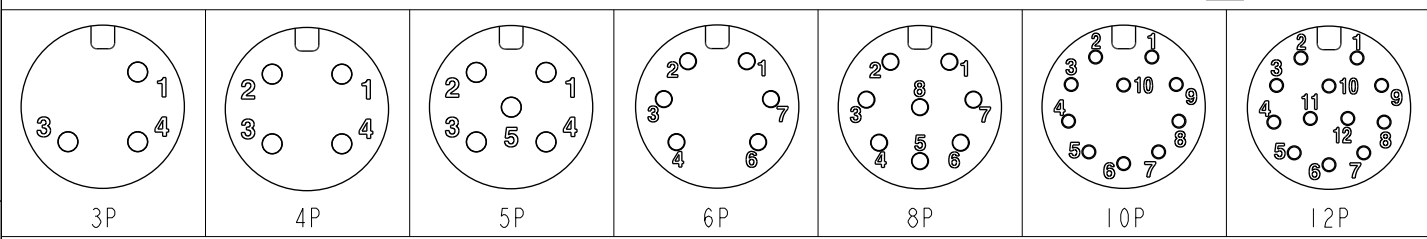
REV.	ECN NO.	DATE	SIGN	DESCRIPTION
C	C200793	2020/06/12	JC Chen	△X2
D	C210076	2021/01/14	Vicky	△DX3
E	C210561	2021/04/15	Vicky	△EX3

△E
MSAS-XXBMMA-SL7001

XX: No. Of Pin



△E
Note:
 * RoHS Compliant
 * (C) Important Dimension
 * Waterproof rate: IPX7, mated
 * Connector
 Housing: Thermoplastic, Black
 Pin: Copper alloy, Gold plated
 Extension Nut: Metal
 △D Nut: Metal
 O-Ring: Rubber, Gray
 △D* Clamp Ring: Metal
 * O-Ring: Rubber, Gray
 * Clamp Cage: Thermoplastic, Black
 △D* Sealing Nut: Metal
 * Seal: Rubber, Gray, OD: $\varnothing 4.0\text{mm} \sim \varnothing 7.5\text{mm}$
 * One set unassembled in one pe bag



Pin Assignments Front View

UNIT: mm			TITLE N SEN, M12 A -SHLD, SCREW CABLE W/O SR, M, M, FI SOLDER
TOLERANCE .X ±0.25 .XX ±0.1 .XXX ±0.05 ANGLES ±1°	SCALE 1:1	SIZE A4	SHEET 1 OF 1
REV. E	WC-REV. .0	△E △C △D △D*	

Amphenol LTW
安費諾亮泰企業股份有限公司

ITEM NO.	DRAWN BY Yulong_wang	DATE 2016-07-22
DWG NO. MSAS-XXBMMA-SL7001	CHECKED BY Jinhai	DATE 2016-07-22
CUSTOMER ALTW	APPROVED BY Jerry	DATE 2016-07-22