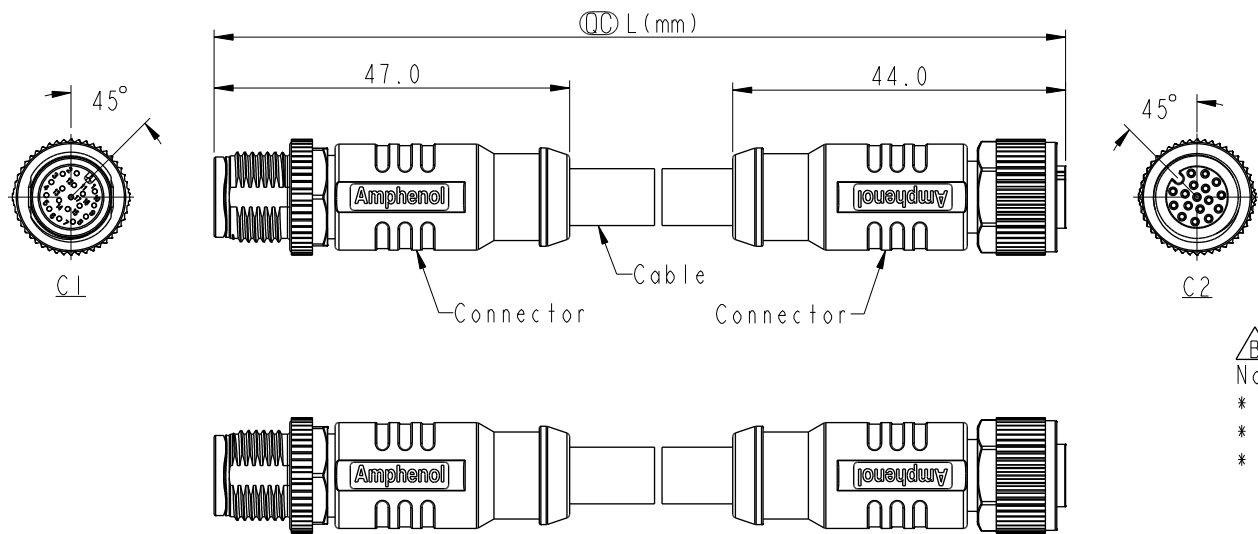


THIS DOCUMENT IS SUBJECT TO CHANGE WITHOUT NOTICE. IT IS CONFIDENTIAL AND A PROPERTY OF Amphenol LTW. DISCLOSURE TO THIRD PARTY HAS TO BE AUTHORIZED BY Amphenol LTW.

REV.	ECN NO.	DATE	SIGN	DESCRIPTION
B	C201747 & 53	2020/11/12	Vicky	\triangle_B X6
C	C210081	2021/01/19	Vicky	\triangle_C X2
D	C210550	2021/04/07	Vicky	\triangle_D X4



- $\triangle_B \triangle_D$
 Note:
 * RoHS Compliant
 * ⌀ Important dimension
 * C1
 Waterproof rate: IPX8, mated 1m/24h
 Housing: Thermoplastic, Black
 Pin: Copper alloy, Gold plated
 \triangle_C Nut: Metal
 Shield: Metal
 Outer Mold: Thermoplastic, Black
 * C2
 Waterproof rate: IPX8, mated 1m/24h
 IPX9K, mated
 Housing: Thermoplastic, Black
 Pin: Copper alloy, Gold plated
 O-Ring: Rubber, Gray
 \triangle_C Nut: Metal
 Shield: Metal
 Outer Mold: Thermoplastic, Black
 * Cable: UL20549, Shield, PUR Jacket, Black
 * Cable Length Tolerance: 0.5M < L ≤ 1M: +60/-0 mm
 1M < L ≤ 3M: +120/-0 mm
 3M < L ≤ 5M: +160/-0 mm
 5M < L ≤ 10M: ±100 mm
 10M < L ≤ 20M: ±200 mm
 20M < L ≤ 30M: ±300 mm
 30M < L ≤ 99M: ±500 mm

UNIT: mm	⌀	⌀
TOLERANCE	±0.5mm	

TITLE ACC, SEN, A Code, DB-ENDED MF			\triangle_D
SCALE 1:2	SIZE A4	SHEET 1 OF 2	
REV. D	WC-REV. A.5	⌀ : Inspection item	

Amphenol LTW
 安費諾亮泰企業股份有限公司

ITEM NO.	DRAWN BY Brady	DATE 2019-01-23
DWG NO. \triangle_B MSASXML-SASFL-SBXXX	CHECKED BY Eagle	DATE 2019-01-23
CUSTOMER ALTW	APPROVED BY Neo	DATE 2019-01-23

