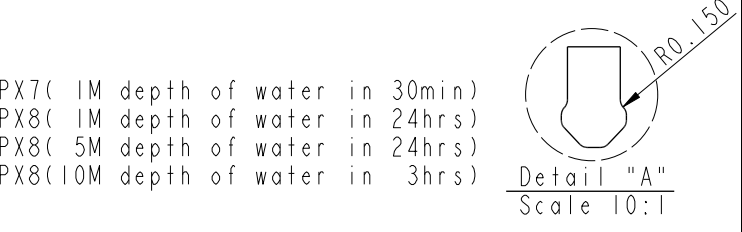
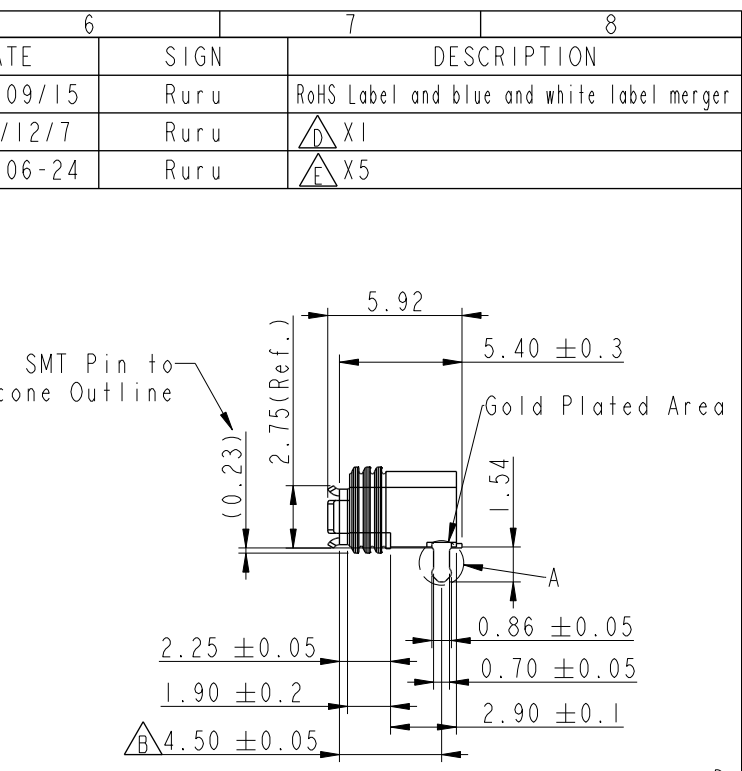
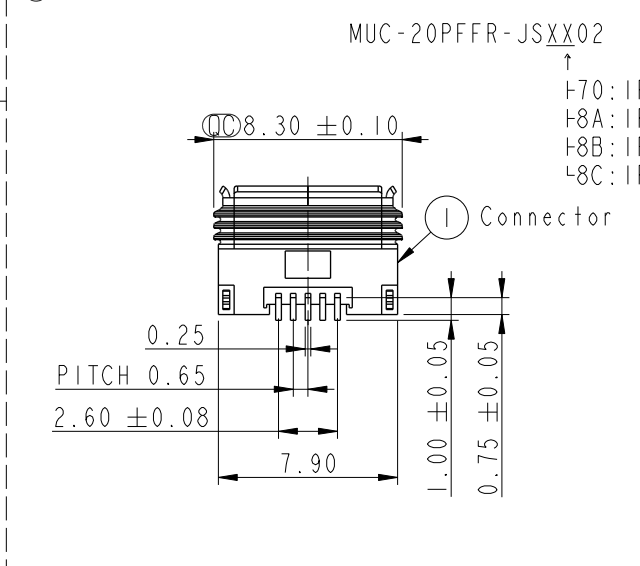
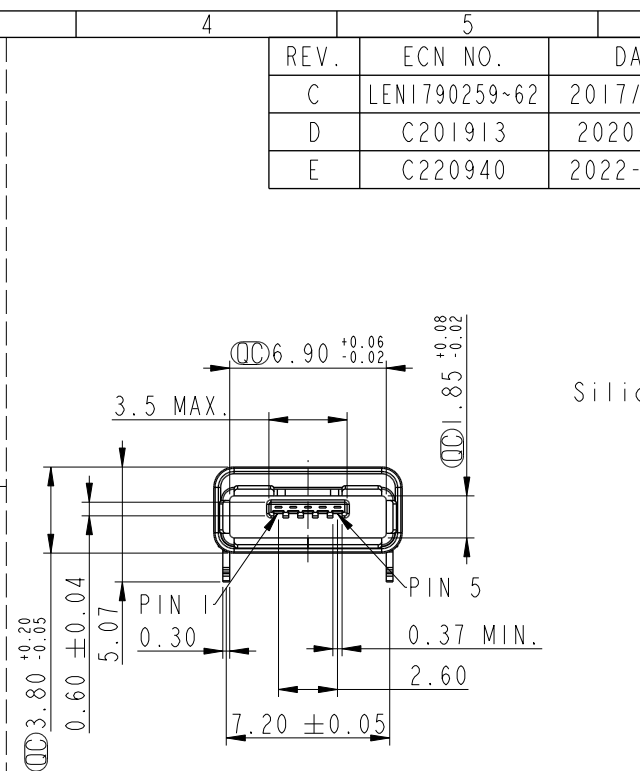
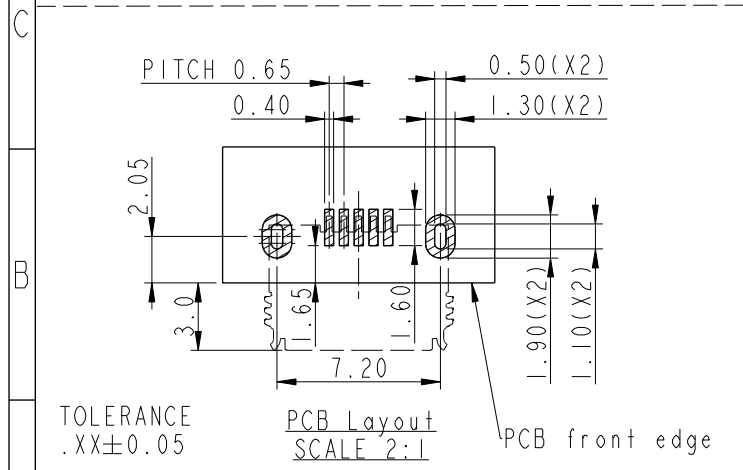
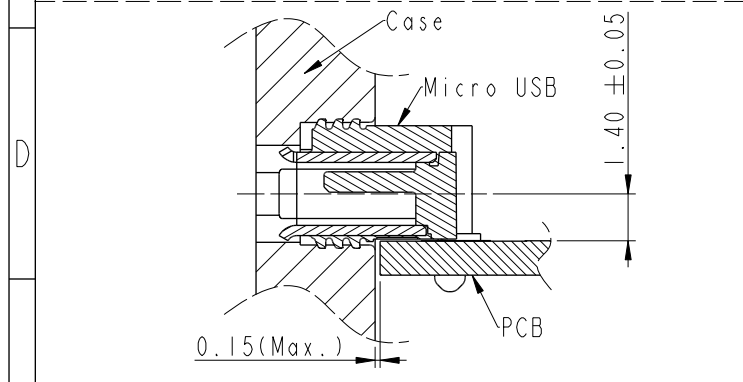
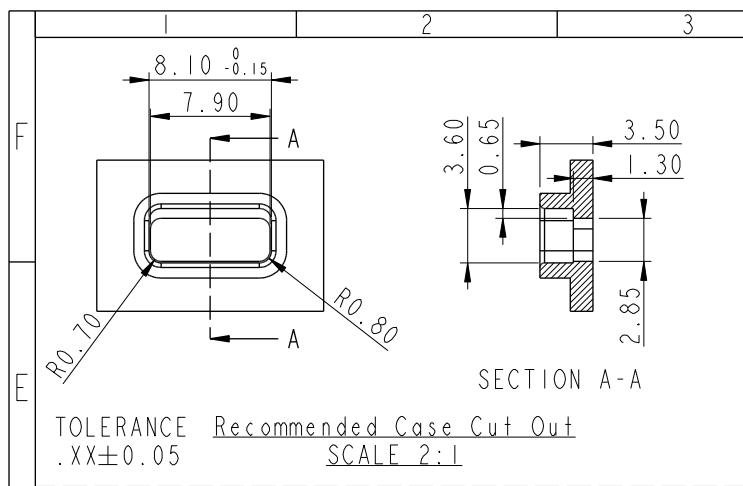


THIS DOCUMENT IS SUBJECT TO CHANGE WITHOUT NOTICE. IT IS CONFIDENTIAL AND A PROPERTY OF Amphenol LTW. DISCLOSURE TO THIRD PARTY HAS TO BE AUTHORIZED BY Amphenol LTW.

REV.	ECN NO.	DATE	SIGN	DESCRIPTION
C	LEN1790259~62	2017/09/15	Ruru	RoHS Label and blue and white label merger
D	C201913	2020/12/7	Ruru	$\triangle D$ X1
E	C220940	2022-06-24	Ruru	$\triangle E$ X5



Note:

- * \varnothing Important Dimensions To Check
- * Current: 1&5pin(1.8A), 2~4 pin(1.0A)
- * Housing: Nylon, Black
- * Terminal: Copper Alloy, Gold Plated
- * Shell: Stainless, Gold Plated
- * Inner Gasket: Silicone, Transparent
- * Outside Gasket: Silicone, Transparent
- * PCB Thickness: 1.2 MAX.
- * For Micro USB A & B type plug use
- * SMD Temperature & Time: 260°C / 5 sec

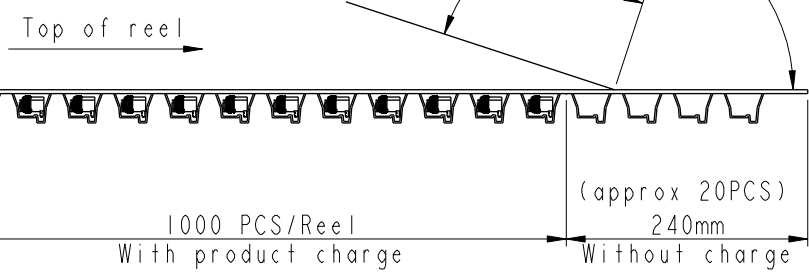
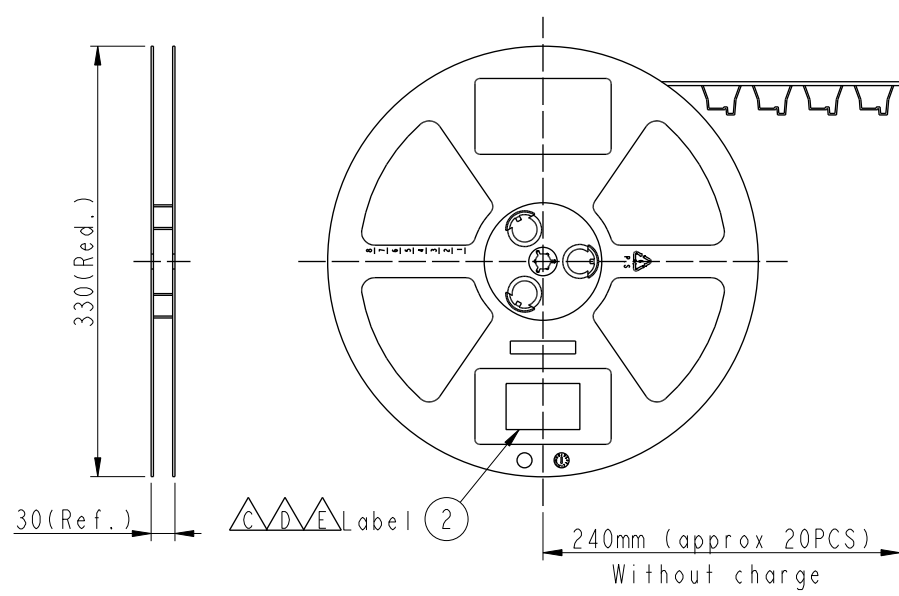
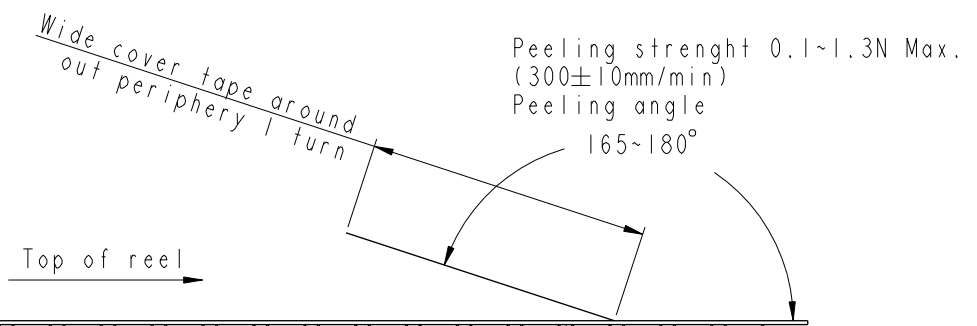
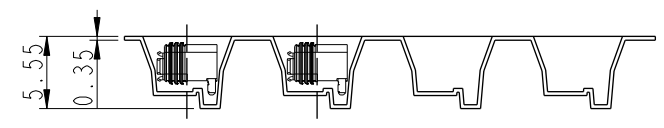
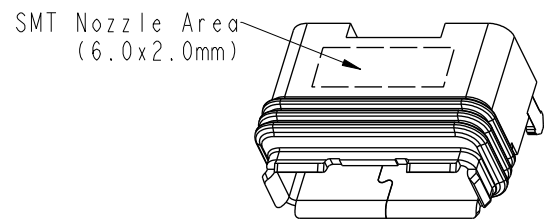
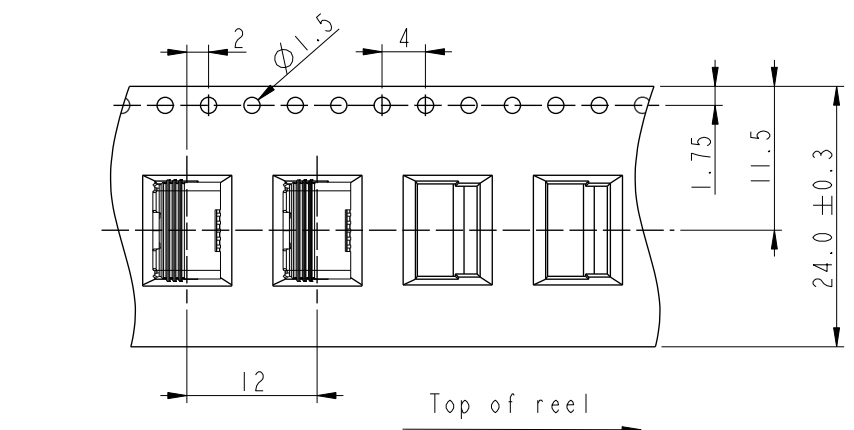
UNIT: mm			TITLE USB, MICRO AB, 2.0, FRONT FASTENED F, F, PCB R, JOINT
TOLERANCE .X ±0.25 .XX ±0.1 .XXX ±0.05 ANGLES ±1°	SCALE 3:1	SIZE A4	SHEET 1 OF 4
REV. E	WC-REV. A.6	\varnothing : Inspection item	

Amphenol LTW
安費諾亮泰企業股份有限公司

ITEM NO	DRAWN BY Ruru	DATE 2017-09-15
DWG NO MUC-20PFFR-JSXX02	CHECKED BY Rita	DATE 2017-09-15
CUSTOMER ALTW	APPROVED BY Max	DATE 2017-09-15

THIS DOCUMENT IS SUBJECT TO CHANGE WITHOUT NOTICE. IT IS CONFIDENTIAL AND A PROPERTY OF Amphenol LTW. DISCLOSURE TO THIRD PARTY HAS TO BE AUTHORIZED BY Amphenol LTW.

Tape & Reel Information:



UNIT: mm		
TOLERANCE	.X ±0.25	
	.XX ±0.1	
	.XXX ±0.05	
ANGLES	±1°	

TITLE USB, MICRO AB, 2.0, FRONT FASTENED F, F, PCB R, JOINT			
SCALE	Free	SIZE	A4
REV.	E	SHEET	2 OF 4
WC-REV.	A.6	QC	Inspection item

Amphenol LTW
安費諾亮泰企業股份有限公司

ITEM NO	DWG NO
	MUC-20PFFR-JSXX02
CUSTOMER	ALTW

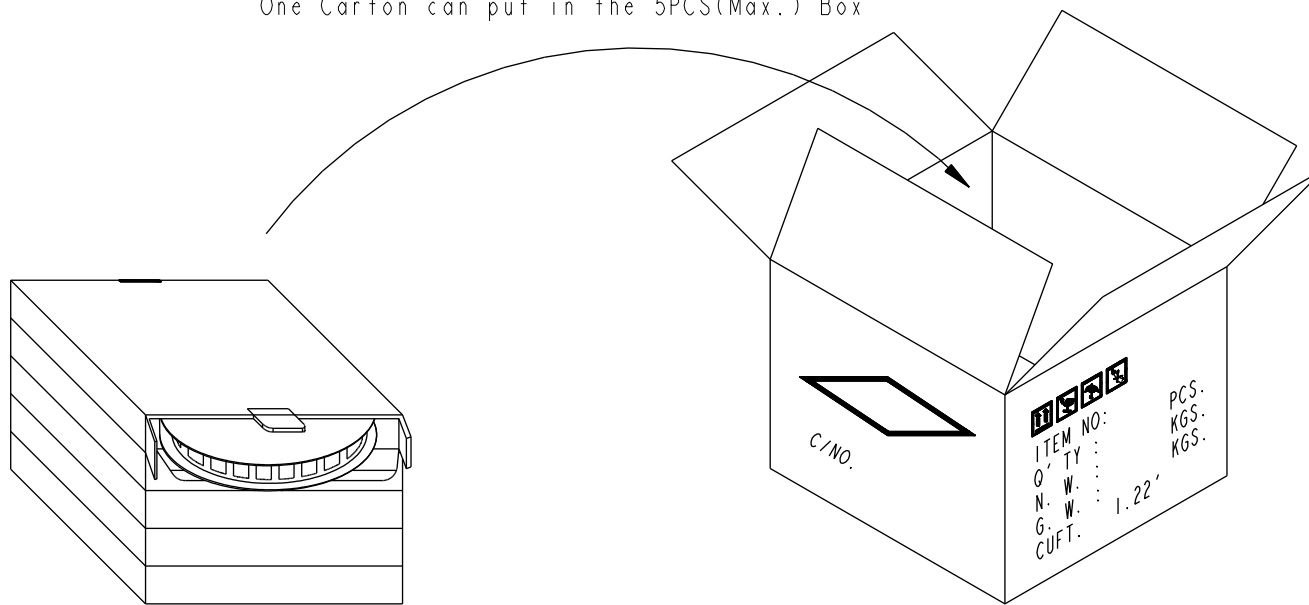
DRAWN BY	CHECKED BY
Ruru	Rita
APPROVED BY	Max

DATE	DATE
2017-09-15	2017-09-15
DATE	DATE
2017-09-15	2017-09-15

THIS DOCUMENT IS SUBJECT TO CHANGE WITHOUT NOTICE. IT IS CONFIDENTIAL AND A PROPERTY OF Amphenol LTW. DISCLOSURE TO THIRD PARTY HAS TO BE AUTHORIZED BY Amphenol LTW.

Package :

One Carton can put in the 5PCS(Max.) Box



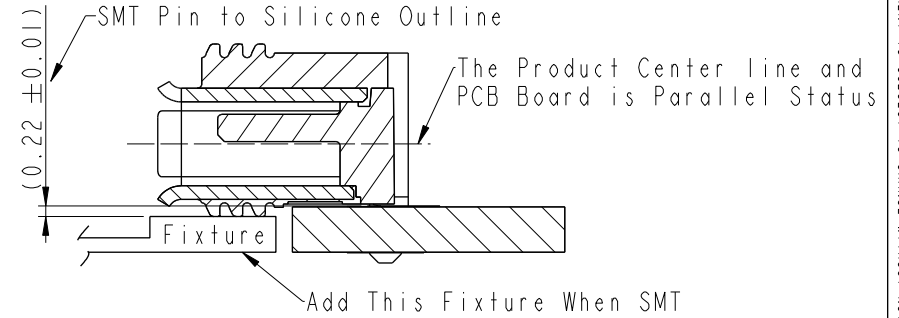
1000 PCS(Connector)/Tape&Reel, Put in a Box

(5,000 PCS/Carton)

A	UNIT: mm		 		TITLE USB, MICRO AB, 2.0, FRONT FASTENED F, F, PCB R, JOINT			ITEM NO MUC-20PFFR-JSXX02		DRAWN BY Ruru		DATE 2017-09-15	
	TOLERANCE .X ±0.25 .XX ±0.1 .XXX ±0.05 ANGLES ±1°		SCALE Free		SIZE A4		SHEET 3 OF 4		CHECKED BY Rita		DATE 2017-09-15		
	REV. E		WC-REV. A.3		(CC): Inspection item		CUSTOMER ALTW		APPROVED BY Max		DATE 2017-09-15		
	<h2 style="margin: 0;">Amphenol LTW</h2> <p style="margin: 0;">安費諾亮泰企業股份有限公司</p>					DATE 2017-09-15		DATE 2017-09-15		DATE 2017-09-15			

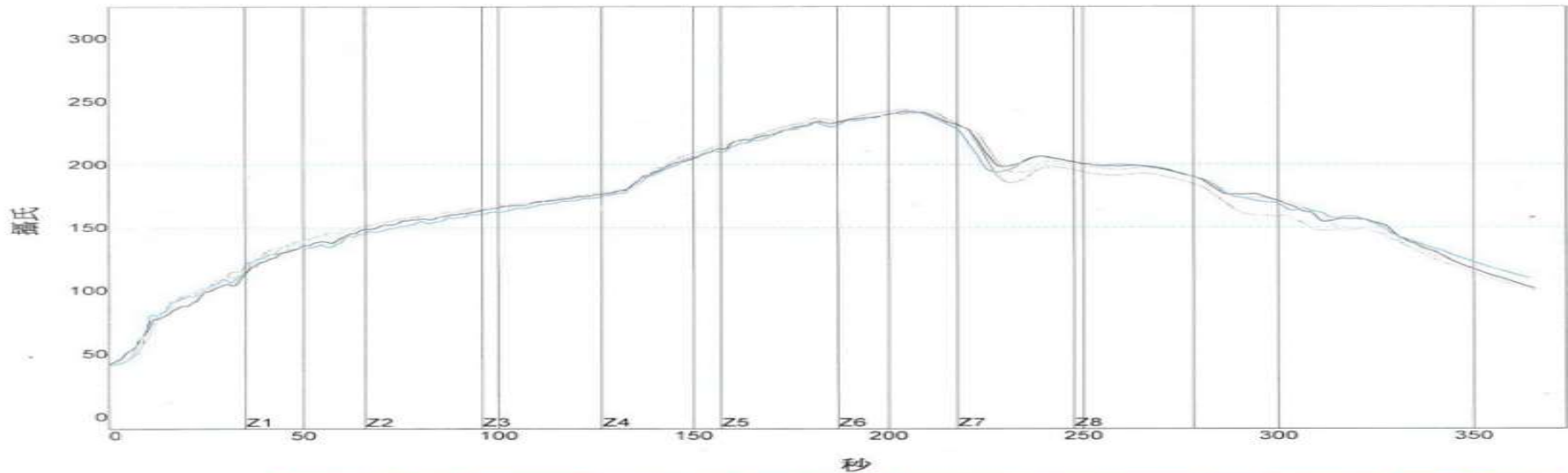
For SMT Process Recommend:

About Fixture:



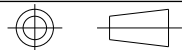
About IR Reflow Profile:

溫度設置 (攝氏)	1	2	3	4	5	6	7	8
溫區								
上溫區	160	180	180	180	190	245	265	260
下溫區	160	180	180	180	190	245	265	260
傳送帶速度 (米/分):	0.95							



PWi= 61%	最高上升斜率	最高下降斜率	恆溫時間150至200C	回流時間 /220C	最高溫度					
CON1	2.81	-6%	-2.33	33%	80.21	-33%	60.91	-30%	242.36	-18%
CON2	2.38	-21%	-2.14	43%	75.61	-48%	57.41	-42%	241.74	-22%
CON3	2.81	-6%	-2.84	8%	77.79	-41%	58.66	-38%	243.44	-10%
CON4	2.83	-6%	-2.34	33%	72.24	-59%	51.64	-61%	240.92	-27%
溫差	0.45		0.70		7.97		9.27		2.52	

UNIT: mm



TITLE
USB, MICRO AB, 2.0, FRONT FASTENED
F, F, PCB R, JOINT

Amphenol LTW

安費諾亮泰企業股份有限公司

ITEM NO	DRAWN BY	DATE
DWG NO	CHECKED BY	DATE
CUSTOMER	APPROVED BY	DATE

TOLERANCE	
.X	±0.25
.XX	±0.1
.XXX	±0.05
ANGLES	±1°

SCALE	SIZE	SHEET	OF
Free	A4	4	4
REV.	WC-REV.	◎: Inspection item	
E	A.3		

THIS DOCUMENT IS SUBJECT TO CHANGE WITHOUT NOTICE. IT IS CONFIDENTIAL AND A PROPERTY OF Amphenol LTW. DISCLOSURE TO THIRD PARTY HAS TO BE AUTHORIZED BY Amphenol LTW.